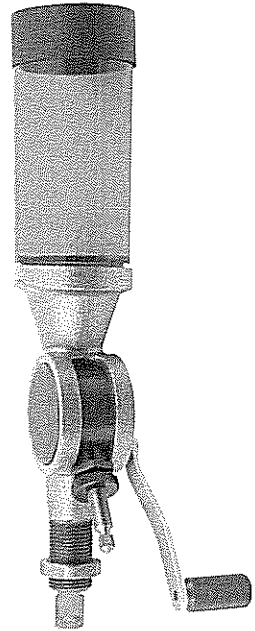


RCBS[®]

UNIFLOW POWDER MEASURE



 **WARNING:
NOT FOR
USE WITH
BLACK POWDER**

PRODUCT INSTRUCTIONS

SAFETY

Reloading is an enjoyable and rewarding hobby that is easily conducted with safety. But carelessness or negligence can make reloading hazardous. This product has been designed from the beginning with the user's safety in mind.

As with any reloading operation, some safety rules must be followed. By observing these few rules, the chance of hazardous occurrence causing damage or injury becomes extremely remote.

GENERAL

- Use the equipment as the manufacturer recommends. Study the instructions carefully and become thoroughly familiar with the operation of the product. Don't take short cuts.
- Observe "good housekeeping" in the work area. Keep tools and components neat, clean and orderly. Promptly clean up any powder spills.
- Always wear adequate eye protection.
- If any unusual resistance is encountered when moving the operating handle, STOP IMMEDIATELY and investigate the cause. To proceed against unusual resistance may damage equipment and/or cause serious injury!

LOADING DATA

- Use only laboratory tested data. We highly recommend the use of the SPEER Reloading Manual.
- OBSERVE ALL WARNINGS ABOUT THE USE OF MAXIMUM LISTED LOADS.

POWDER HANDLING

- Store primers and powder beyond the reach of children and away from heat, dampness, open flames and electrical equipment.
- DO NOT use any powder unless its identity is positively known. Discard all mixed powders and those of uncertain or unknown identity.
- Before charging cases, settle the powder in the powder hopper. Throw and check the weight of at least ten charges. This will assure you that the correct powder charge is being thrown.
- Use of a powder baffle will help to throw consistent charges.
- After a reloading session ends, pour the remaining powder back in its original factory container. This will preserve the identity and shelf life of the powder.
- DO NOT smoke while handling powder or primers.
- DO NOT USE BLACK POWDER with the Uniflow Powder Measure.

RECORD KEEPING

- Keep complete records of reloads. Apply a descriptive label to each box showing the date produced, and the primer, powder and bullet used. Labels for this purpose are packed with SPEER bullets.

Since RCBS has no control over the choice of components, the manner in which they are assembled, the use of this product, or the firearms in which the resulting ammunition may be used, no responsibility, either expressed or implied, is assumed for the use of ammunition reloaded with this tool.



WARNING: NOT FOR USE WITH BLACK POWDER!

GENERAL INFORMATION

The Uniflow Powder Measure will perform two powder charging tasks in one fast, simple operation. With each turn of the handle it accurately measures powder within a fraction of a grain and swiftly dispenses it into cases, one after another. Powder pours uniformly from the powder hopper into the measuring cylinder, through the drop tube and into the case. This eliminates the hazards of overloads caused by clogging when charges are dumped into cases. You can change from one charge to another quickly and easily with the numbered measuring screw which also serves as a reference for future charges.

The powder level is visible at all times through a large capacity five inch plastic powder hopper.

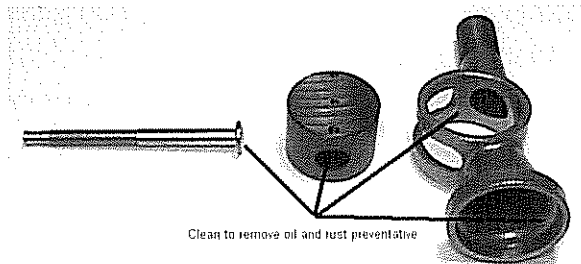
The measuring cylinder has a precision-ground surface and slides into the honed main casting for a precise fit. The lower portion of the main casting has the standard 7/8"-14 threads and may be used with the furnished stand plate or an optional Powder Measure/Piggyback Stand.

A powder measure is basically a device which measures powder by volume and not by weight. However, before you start throwing a given charge with this powder measure, the first charge must always be weighed on a powder scale to arrive at the desired charge. Accurate powder measure charges will also depend upon the size and uniformity of the powder kernels used, and how smoothly and uniformly you operate the powder measure handle.

Ball and flake powders will measure very evenly. Long and short kernel stick-type powders are more difficult to measure consistently, and it is imperative that you follow a set routine when throwing charges of these powders.

TO ASSEMBLE

To prepare the Uniflow Powder Measure for use, the measuring cylinder, measuring screw, inside of main casting and powder funnel portion of main casting must be cleaned to remove the factory applied rust preventative. Failure to do so will cause inconsistent powder charges.



Insert screws through the handle and attach to the measuring cylinder with handle facing toward the unthreaded portion of the measuring cylinder. The Uniflow Powder Measure can be set up for left handed use by disassembling the unit and sliding the cylinder in from the opposite side.

Thread the stand plate to the bottom of the powder measure and lock in place with the lock nut. The stand plate can be mounted on a bench using wood screws; or it can be mounted on the left or right side of your reloading press and firmly held in place under the lock ring of a reloading die. An optional Powder Measure Stand is available from your reloading dealer. Two drop tubes are also furnished; one with a small hole for .22 to 7mm calibers, and one with a large hole for .30 caliber on up. An optional .17 caliber drop tube is available from your dealer.

TO USE

Before attempting to throw a series of powder charges, set the powder measure for the maximum charge and run about a pound of powder through it. This will deposit a film on the inside of the measure and help the powder flow through more evenly and consistently.

Be sure you use the same uniform movements for each powder charge. To throw a charge, raise the handle until it comes to the end of the stroke with a light tap. Then lower the handle in the same manner. This tap at the end of each stroke helps to settle the powder uniformly in the measure.

A dependable powder scale should be used to set the first charges in the powder measure as follows: throw a powder charge directly into the scale pan by raising the handle and lowering it. Weigh the charge. If it is too heavy, adjust the measuring screw with the handle in the down position to a lower number. If the charge is too light, adjust the measuring screw to a higher number. When you arrive at the exact charge you need note the reading on the measuring screw and you're ready to throw a series of charges. Write down measuring screw setting for the powder and weight being used and you can quickly reset the powder measure the next time this charge is required.

As a precaution, throw every tenth charge into the scale pan and weigh it to be sure of consistency.

It is not necessary to empty the powder hopper each time you change charges unless a different powder is required.

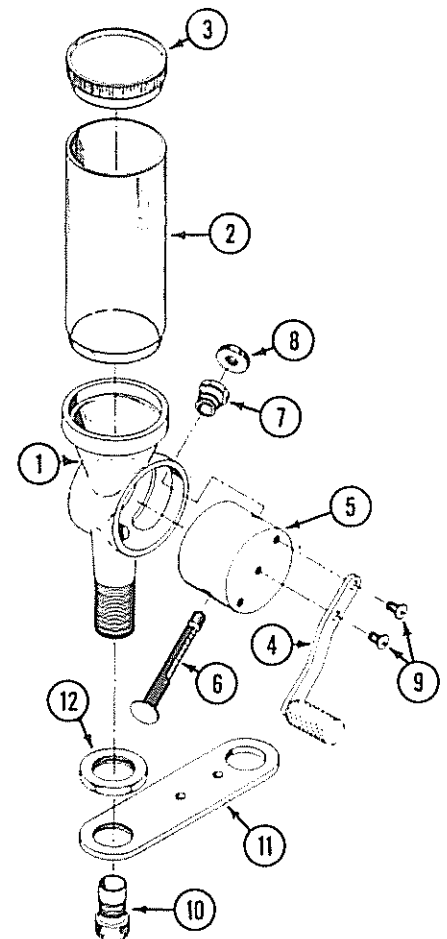
Powder should not be left in the measure, as it will deteriorate and may clog and jam the measuring cylinder and etch the powder hopper. The measure can be emptied without taking it off the bench or reloading press by setting the measuring screw for the maximum charge and throwing charges until the powder hopper is empty.

TO REMOVE A CYLINDER

To remove a measuring cylinder for cleaning, first remove the measuring screw assembly in the reverse order of how you assembled it. The optional small measuring screw assembly can be removed from the front of the powder measure but the large assembly must be disassembled and the measuring screw must be removed through the top of the powder measure.

Do not attempt to remove the powder hopper from the main casting.

UNIFLOW POWER MEASURE PARTS LIST



KEY	PARTNO.	DESCRIPTION
1	09025	Main Casting
2	09026	Powder Hopper
3	09012	Powder Hopper Cap
4	09027	Handle Assembly-2
•	09011	Measuring Cylinder Assembly, Crowned
5	09005	Measuring Cylinder
6	09009	Measuring Screw, Crowned
7	09013	Measuring Cylinder Bushing
8	09014	Measuring Screw Lock Ring
9	09019	Handle Screw (2)
10	09022	Drop Tube, Large
10	09023	Drop Tube, Small
10	09028	Drop Tube, .17 Caliber
11	09020	Stand Plate
12	87505	Hex Lock Nut, 7/16" - 14