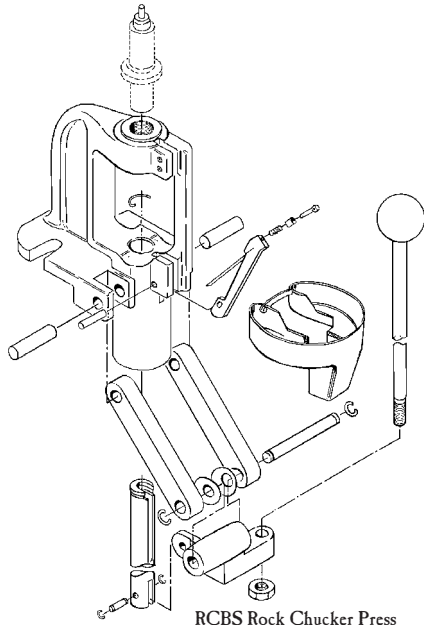


PARTS BOOK

3rd Edition



RCBS Rock Chucker Press

INDEX

<i>Partner Press</i>	1
<i>Reloader Special Press</i>	1
<i>Junior-3 Press</i>	1
<i>Reloader Special-2 Press</i>	2
<i>Reloader Special-3 Press</i>	2
<i>Reloader Special-5 Press</i>	2
<i>Rock Chucker Press</i>	3
<i>Rock Chucker II Press</i>	3
<i>Big Max Press</i>	3
<i>AmmoMaster Single Press</i>	4
<i>.50 BMG Conversion Kits</i>	4
<i>Piggyback</i>	5
<i>Piggyback-2</i>	6
<i>4x4 Press</i>	7
<i>Auto 4x4 Press</i>	8
<i>AmmoMaster Auto I</i>	9
<i>AmmoMaster Auto II</i>	10
<i>CaseMaster Gauging Tool</i>	11
<i>Sidewinder Case Cleaner</i>	11
<i>Rotary Case Trimmer</i>	11
<i>Rotary Case Trimmer-2</i>	11
<i>Vibratory Case Cleaner</i>	11

Continued

<i>Trim Pro Manual Case Trimmer</i>	12
<i>Trim Pro Power Case Trimmer</i>	12
<i>Trim Mate Case Prep Center</i>	12
<i>Trim Pro 3-Way Cutter</i>	12
<i>Case Neck Turning Tool</i>	12
<i>APS Press Priming Tool</i>	13
<i>APS Strip Loader</i>	13
<i>APS Bench Priming Tool</i>	13
<i>Ram Priming Unit</i>	14
<i>Standard Priming Tool</i>	14
<i>Primer Pocket Swager Combo</i>	14
<i>Berdan Decapping Tool</i>	14
<i>Automatic Primer Feed Combo</i>	14
<i>Hand Priming Tool</i>	15
<i>Universal Primer Arm</i>	15
<i>Posi-Prime Hand Priming Tool</i>	15
<i>Automatic Priming Tool</i>	15
<i>Case Kicker</i>	16
<i>Pow'r Pull Bullet Puller</i>	16
<i>Kinetic Bullet Puller</i>	16
<i>Stuck Case Remover</i>	16
<i>Precision Mic</i>	16
<i>Uniflow Powder measure</i>	17
<i>Powder Trickler</i>	17
<i>Du-O-Measure</i>	17
<i>Little Dandy Pistol Powder Measure</i>	17
<i>Reloading Scales</i>	17
<i>RC-130 Reloading Scale</i>	18
<i>PowderMaster Electronic</i>	
<i>Powder Dispenser</i>	18
<i>UPM Micrometer Adjustment Screw</i>	18
<i>2-Die Set</i>	19-20
<i>3-Die Set</i>	21
<i>Reloader Special Die</i>	22
<i>Competition Die</i>	22
<i>Lube Die</i>	23
<i>Lock-Out Die</i>	23
<i>Powder Checker</i>	23
<i>X-Die</i>	23
<i>Universal Decap Die</i>	23
<i>Shotshell Dies</i>	24
<i>Lube-A-Matic</i>	25
<i>Bullet Mould</i>	25
<i>Lube-A-Matic-2</i>	26
<i>Pro Melt</i>	26

Use this book to order replacement parts for most RCBS products. Some parts may no longer be available for discontinued products. Call our Customer Service department for price and availability.

1-800-533-5000

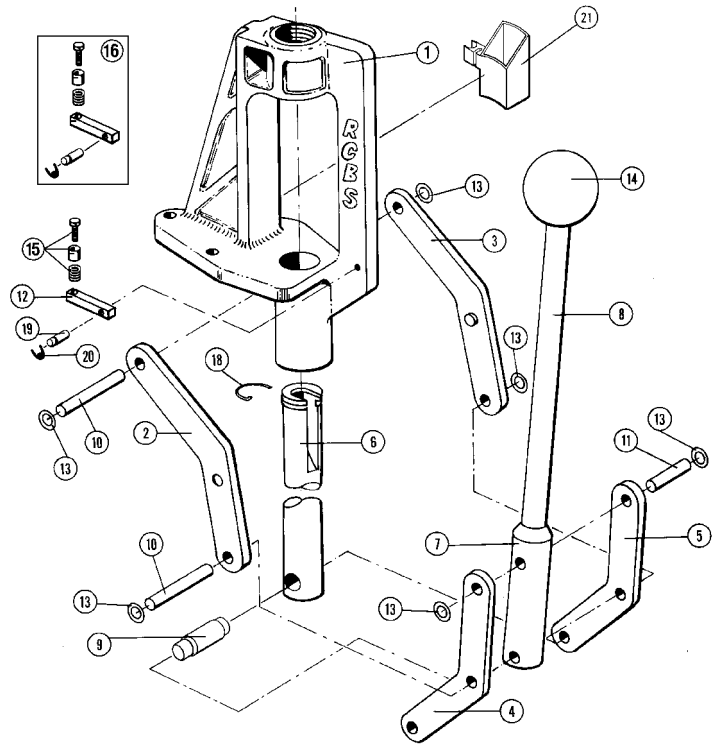
RELOADING PRESSES



87460 PARTNER PRESS

Key	Part #	Description
1	◆	Frame
2	87402	Link, Left
3	87403	Link, Right
4	87404	Handle Link, Left
5	87405	Handle, Link, Right
6	87406	Shell Holder Ram
7	87407	Handle Block
8	87408	Handle
9	87409	Ram Pin
10	87410	Link Pin (2)
11	87411	Handle Pin
12	87412	Primer Arm
13	87413	Tinnerman Retaining Ring
14	87414	Handle Ball
15	09552	Primer Plug, Sleeve & Spring, Large
15	09553	Primer Plug, Sleeve & Spring, Small
16	87418	Primer Arm Assembly (Includes Keys 12,15,19& 20)
18	09111	Shell Holder Ram Clip Spring
19	87417	Primer Arm Pin
20	87670	Retaining E-Ring
21	88732	Primer Catcher

◆ Not available separately



09356 RELOADER SPECIAL PRESS & JUNIOR-3 PRESS*

(Including Junior & Junior-2 Presses)

Key	Part #	Description
1	◆	Frame
2	09101	Toggle Block
3	09102	Toggle Link
4	09103	Toggle Link Pin
5	09104	Toggle Block Pin
6	09105	Retaining Ring 1/2" (2)
7	09106	Handle**
8	09264	Handle Grip
9	09550	Universal Primer Arm (complete with Plugs, Sleeves and Springs)
10	09109	Shell Holder Ram
11	09110	Shell Holder Ram Pin
12	09111	Shell Holder Ram Clip Spring
13	09099	Setscrew 10-30"x1/4" Flat Point (2)
14	09113	Universal Primer Arm Pin
15	09114	Primer Catcher
16	09115	Bow Washer 522-S-12

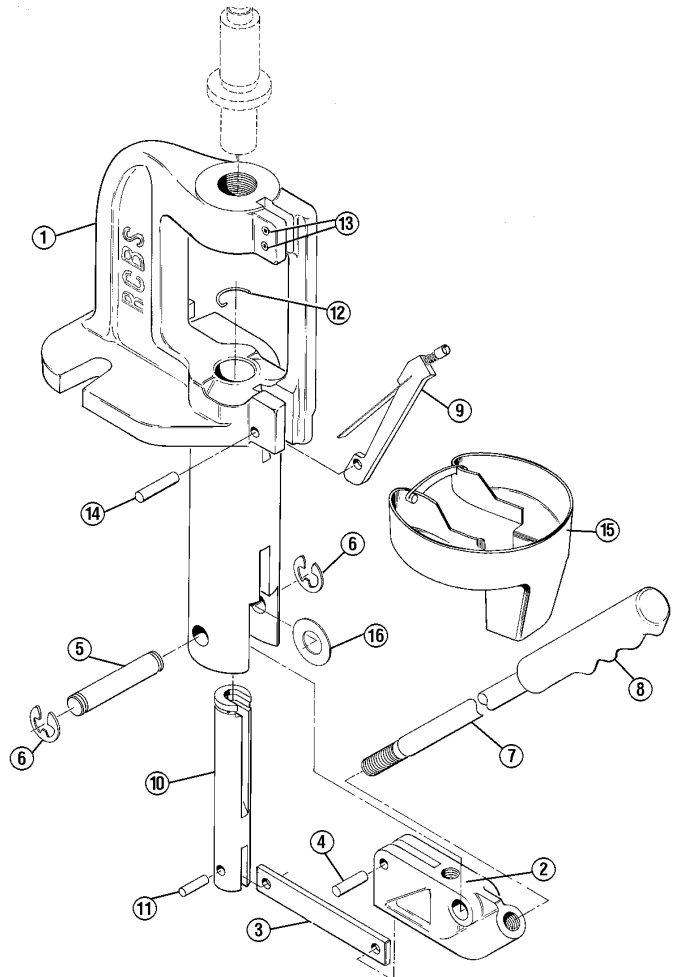
◆ Not available separately

*The Junior 3 and Reloader Special Presses are identical except for the name.

** If ordering a replacement handle for an RCBS JR. or JR-2 Press,

you must also order the Toggle Block, Toggle Block Pin and two 1/2" Retaining Rings.

NOTE: This product has been discontinued and is no longer available. Some replacement parts are available. Call or write RCBS Customer Service for information.



RELOADING PRESSES

09256 RELOADER SPECIAL-2 PRESS

09250 RELOADER SPECIAL-3 PRESS

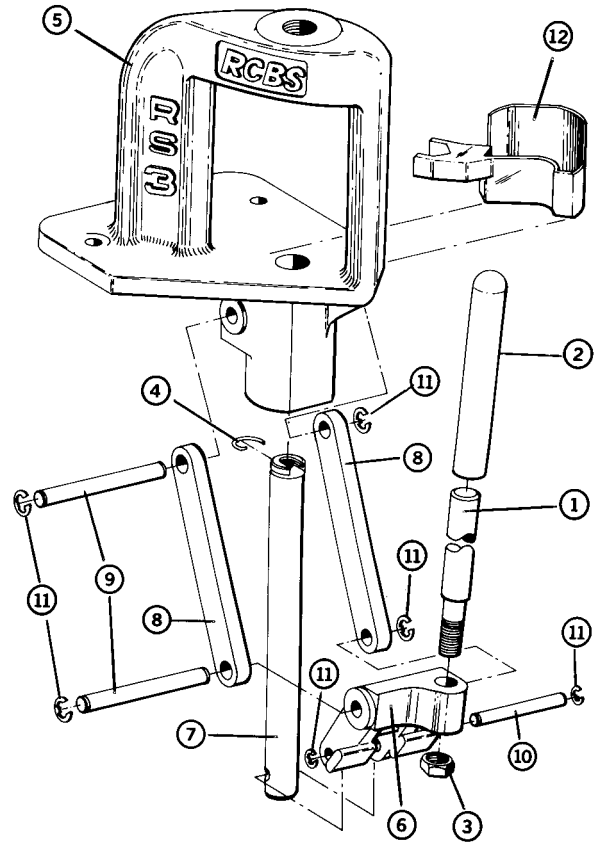
Key	Part #	Description
1	09267	Handle
2	09264	Handle Grip
-	09269	Grip Handle Assembly (Includes Keys 1 & 2)
-	86850	Ball Handle Assembly (Alternate)
3	09265	Hex Jam Nut 9/16-18 x 5/16
4	09111	Shell Holder Ram Clip Spring
5	◆	Frame
6	09258	Toggle Block
7	09259	Shell Holder Ram
8	09261	Link (2)
9	09262	Link Pin (2)
10	09263	Ram Pin
11	09266	Retaining Ring 3/8" (6)
12	09268	Primer Catcher
◆	09138	Bushing 1 1/4-12 to 7/8-14*

NOTE: This product has been discontinued and is no longer available. Some replacement parts are available. Call or write RCBS Customer Service for information.

* RS-3 Press only.

Note: The Reloader Special-2 & 3 Presses utilize the Ram Priming Unit for priming. See page 15 for those replacement parts.

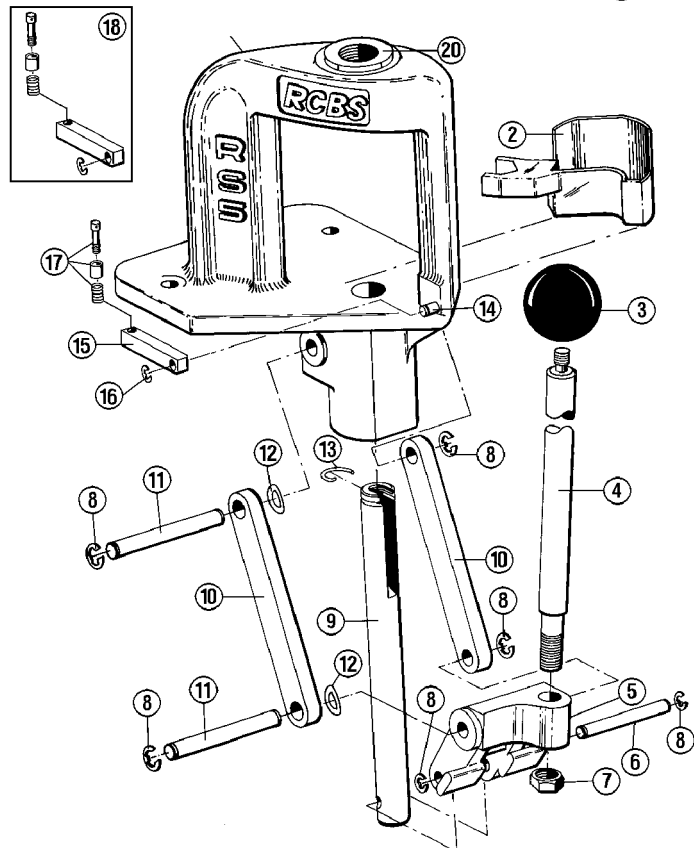
◆ Included but not shown
◆ Not available separately



09285 RELOADER SPECIAL 5 PRESS

Key	Part #	Description
1	◆	Frame
2	09268	Primer Catcher
3	87414	Handle Ball
4	86860	Handle
-	86850	Ball Handle Assembly (Includes Keys 3 & 4)
5	09258	Toggle Block
6	09263	Ram Pin
7	09265	Hex Jam Nut, 9/16-18 x 5/16
8	09266	Retaining Ring, 3/8" (6)
9	88206	Ram
10	88207	Link (2)
11	88208	Link Pin (2)
12	09260	Bow Washer, 3/8" (2)
13	09111	Shell Holder Ram Clip Spring
14	87417	Primer Arm Pin
15	88210	Primer Arm
16	87670	Retaining E Ring
17	09552	Primer Plug, Sleeve & Spring, Large
17	09553	Primer Plug, Sleeve & Spring, Small
18	88213	Primer Arm Assembly (Includes Keys 7, 14, 15, 16, & 17).
20	09138	Bushing

◆ Not available separately

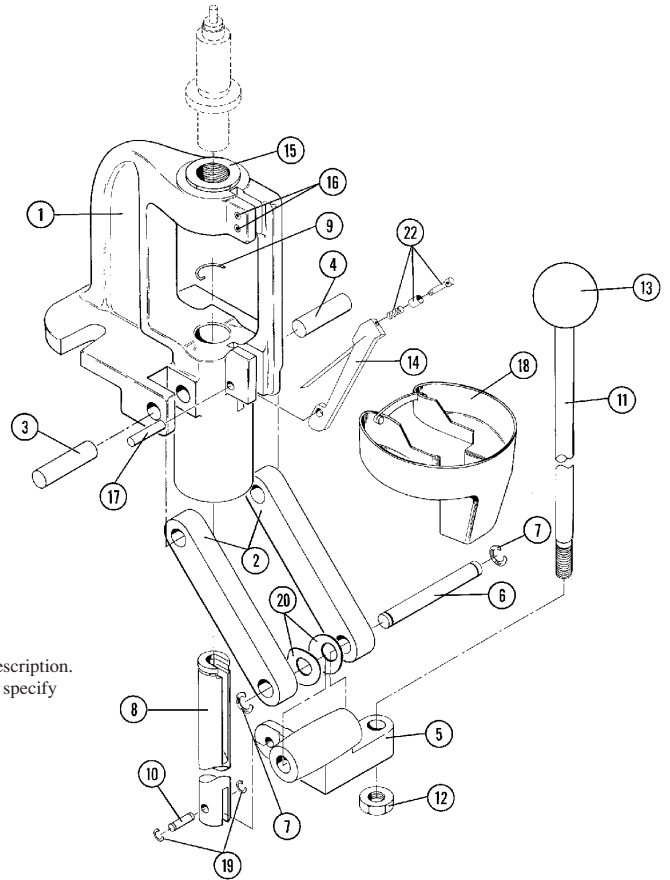


RELOADING PRESSES



09366 ROCK CHUCKER PRESS & ROCK CHUCKER II PRESS

Key	Part #	Description
1	◆	Frame
2	09141*	Linkage Arm (2)
3	09127	Linkage Arm Pin, Left
4	09128	Linkage Arm Pin, Right
5	09145	Toggle Block
6	09140*	Toggle Block Pin
7	09105	Retaining Ring 1/2" (2)
8	09134	Main Ram
9	09111	Shell Holder Ram Clip Spring
10	09142	Main Ram Pin
11	09120	Handle
-	09122	Ball Handle Assembly (Includes Keys 11 & 13)
12	09136	Hex Nut 5/8"-18
13	09121	Handle Ball
14	09550	Universal Primer Arm (Includes Primer Plugs, Sleeves, Spring)
15	09138	Bushing (1 1/4-12 to 7/8-14)
16	09099	Setscrew, 10-32 x 1/4 Flat Point (2)
17	09113	Universal Primer Arm Pin
18	09114	Primer Catcher
19	09143	Retaining Ring 3/8" Small (2)
20	09144	Bow Washer 134-5-20 (2)
22	09552	Primer Plug, Sleeve & Spring, Large
22	09553	Primer Plug, Sleeve & Spring, Small

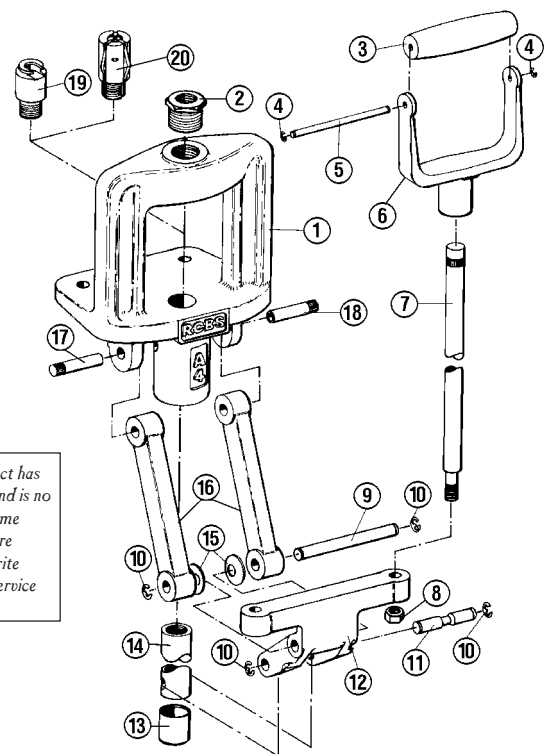


* For RC-II only. When ordering for original Rock Chucker use Part # 55005 with complete part description. Some RC-II presses were assembled with steel links. If a replacement is required, use # 55005 and specify "Steel Link and/or Toggle Block Pin for Steel Link RC-II Press."

◆ Not available separately

09146 BIG MAX PRESS

Key	Part #	Description
1	◆	Frame
2	09161	Bushing 1 3/8"-12 to 7/8"-14
3	09160	Handle Grip
4	86733	Retaining Ring IRR 2000-25 (2)
5	09155	Handle Grip Pin
6	09153	Handle Grip Fork
7	09152	Handle Shaft
8	09136	Hex Nut 5/8"-18
9	09157	Toggle Block Pin
10	09105	Retaining Ring 1/2"
11	09156	Ram Pin
12	09149	Toggle Block
13	09167	Primer Catcher
14	09151	Ram
15	09144	Bow Washer (2)
16	09150	Link Arm (2)
17	09127	Link Pin, Left
18	09128	Link Pin, Right
19	09169	Shell Holder Adaptor
20	◆	Automatic Shell Holder



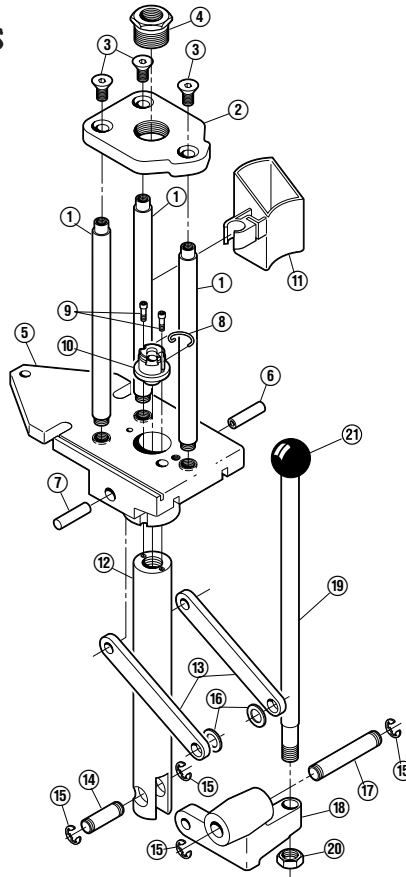
NOTE: This product has been discontinued and is no longer available. Some replacement parts are available. Call or write RCBS Customer Service for information.

◆ Not available separately

RELOADING PRESSES

88701 AMMOMASTER SINGLE PRESS

Key	Part #	Description
1	88722	Support Rod (3)
2	88740	1-1/4" Top Plate
3	88750	3/8"-16 x 3/4" Flathead S.Screw (3)
4	09138	Bushing
5	88710	Base
6	09128	Link Pin, Right
7	09127	Link Pin, Left
8	09111	Ram Clip Spring
9	87159	SHCS 1/4"-28 x 3/4" (2)
10	88715	Shell Holder Adaptor
11	88732	Primer Catcher
12	88714	Ram
13	88719	Linkage Arms (2)
14	87166	Ram Pin
15	09105	1/2" Retaining Ring (4)
16	09144	Bow Washer (2)
17	88712	Toggle Block Pin
18	7-88695	Toggle Block
19	86857	Handle
20	09136	Handle lock Nut
21	09121	Handle Ball
❖	09165	Ram Priming Unit



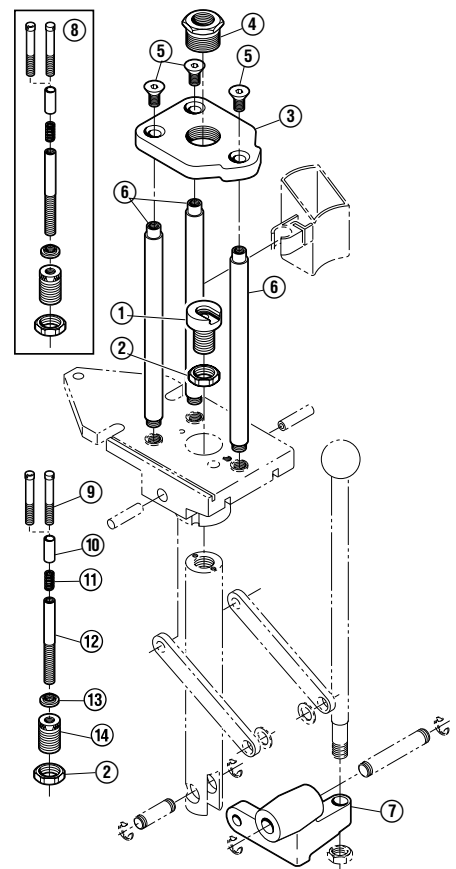
❖ Included but not shown.

See Page 14 for replacement Parts for the Ram Priming Unit.

88708 .50 BMG CONVERSION KIT 1 - 3/8"-12

88709 .50 BMG CONVERSION KIT 1 - 1/2"-12

Key	Part #	Description
1	88742	Shell Holder Ram Adaptor
2	87505	Lock Nut
3	88730	Top Plate (1 3/8"-12)
3	88731	Top Plate (1 1/2"-12)
4	88747	Bushing 1 3/8"-12 to 7/8"-14
4	88748	Bushing 1 1/2"-12 to 7/8"-14
5	88750	Flathead Setscrew 3/8-16x3/4(3)
6	88722	Support Rods (3)
7	7-88711	Toggle Block
8	55005	Ram Priming Unit
9	88745	Primer Plug Flat
9	88760	Primer Plug Round
10	88744	Primer Sleeve (50 Cal.)
11	88749	Compression Spring (50 Cal.)
12	88743	PP Adjustment Shaft
13	80049	Adjustment Screw Lock Ring
14	7-88742	Ram Adaptor (50 Cal.)

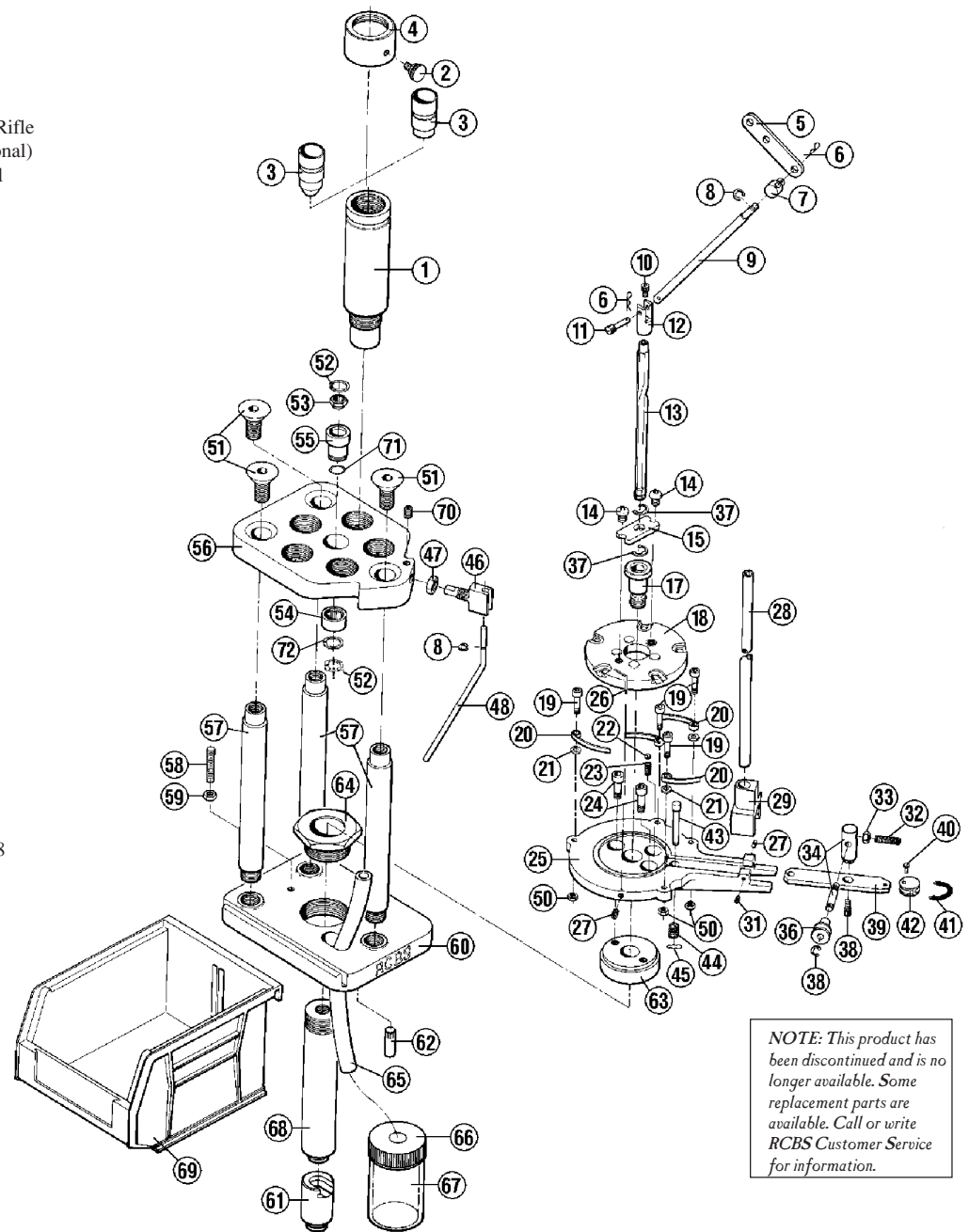


RELOADING PRESSES



87805 PIGGYBACK

Key	Part #	Description
1	88030	Powder Measure Adaptor
2	88052	Collar Lock Screw
3	87191	Powder Drop Tube, Sm. Rifle
3	87194	17 Cal. Drop Tube (Optional)
3	87193	Powder Drop Tube, Pistol
4	88050	Quick-Change Collar
5	87677	Cylinder Handle
6	09599	Cotter Pin
7	87679	Connecting Yoke
8	87670	Retaining Ring
9	88029	Connecting Rod
10	87680	Capscrew 8-32 x 1/4
11	87678	Cross Pin
12	87676	Connecting Yoke
13	88010	Index Rod
14	88270	Capscrew 6-32 x 1/4
15	88003	Connecting Plate
17	88009	Ram Shoulder Bolt
18	*	Shell Plate
19	98964	Capscrew
20	88039	Case Retaining Spring
21	88040	Washer
22	87152	Index Ball
23	88037	Index Ball Spring
24	87159	Capscrew 1/4 - 28 x 3/4
25	88000	Shell Plate Holder
26	88038	Case Eject Spring
27	88043	Setscrew 4-40 x 1/4
28	09581	Primer Tube, Large
28	09582	Primer Tube, Sm.
29	88045	Primer Dispenser, Lg.
29	88044	Primer Dispenser, Sm.
31	88036	Flathead Screw 4-40 x 1/8
32	88034	Setscrew 8-32 x 3/4
33	88035	Hex Nut 8-32
34	88062	Roller Carrier Assembly
36	88020	Roller
37	87657	Retaining Ring
38	87687	Capscrew 10-32 x 1/4
39	88016	Transfer Bar, Large
39	88015	Transfer Bar, Small
40	88018	Spring Retainer Rivet
41	88019	Return Spring
42	88017	Spring Retainer
43	88013	Primer Plug, Large
43	88012	Primer Plug, Small
44	88014	Primer Plug Spring
45	88042	Hairpin Clip
46	88026	Cam Wire Clip
47	88027	Hex Nut 3/8 - 24
48	88060	Cam Wire Assembly
50	87157	Hex Nut 6-32
51	88032	FHSS, 3/8 - 16 x 3/4
52	09143	Retaining Ring
53	87650	Nylon Bushing
54	87653	Clutch Bearing
55	87651	Inner Race
56	88001	Top Plate
57	88008	Support Rod
58	88033	Setscrew 1/4 - 28 x 1 1/4
59	87175	Hex Nut 1/4 - 28
60	88002	Bottom Plate
61	88004	Ram Adaptor
62	88011	Rock Chucker Locating Pin
63	88006	Shell Plate Holder Adaptor
64	88007	Piggyback Lock Nut
65	88028	Spent Primer Tube
66	87178	Spent Primer Bottle Cap
67	87177	Spent Primer Bottle
68	88005	Upper Ram
69	88031	Ammo Catcher Box
70	09099	Setscrew 10-32x1/4
71	87652	Wave Washer
72	87658	Clutch Bearing Washer
❖	88063	Shell Plate Holder Assembly
❖	88064	Top Plate Assembly
❖	88065	Primer Transfer Roller Assembly
❖	88048	Primer Follower



NOTE: This product has been discontinued and is no longer available. Some replacement parts are available. Call or write RCBS Customer Service for information.

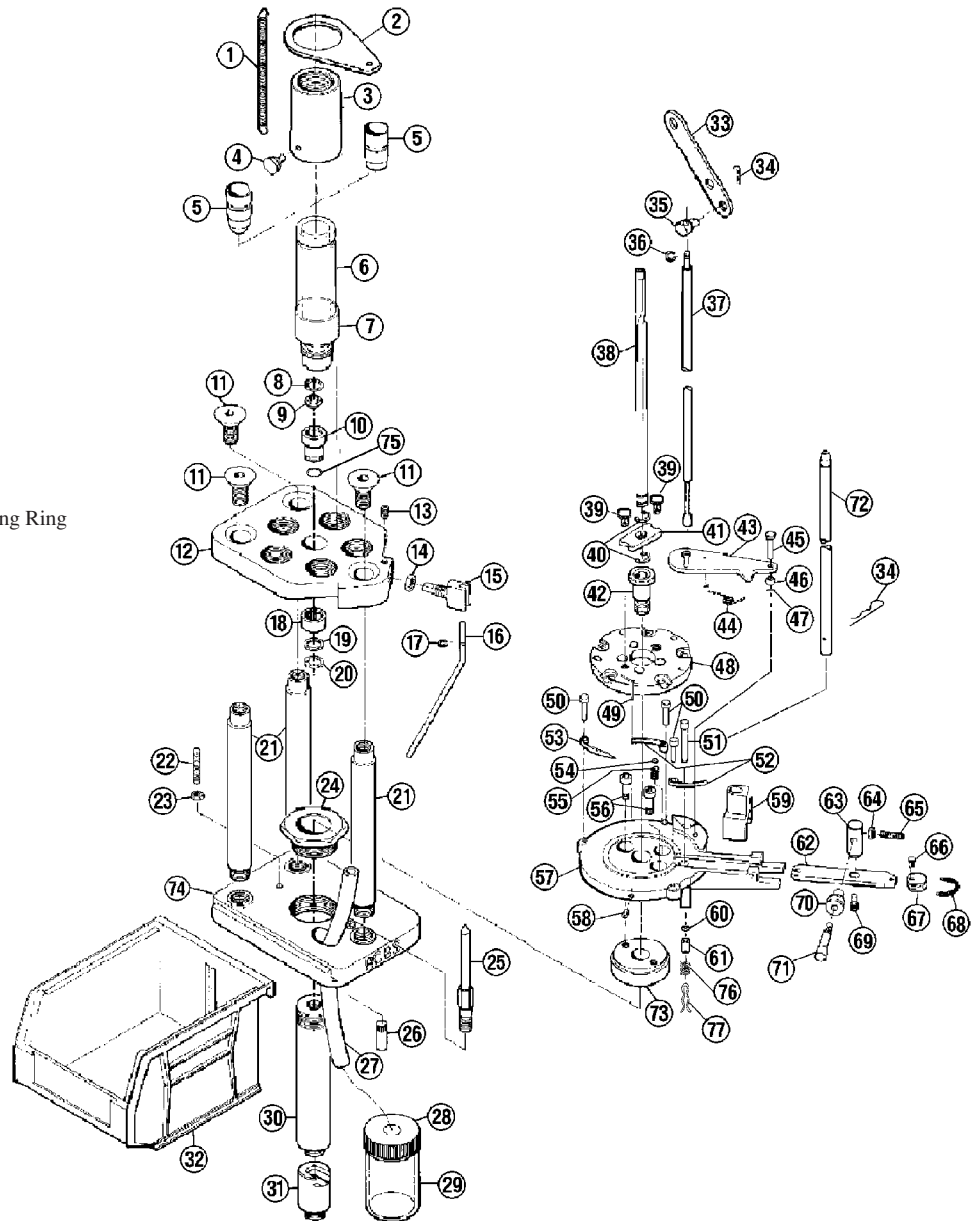
Key	Part #	Description
❖	88049	Lock Nut/Die Wrench
❖	87501	Hex Lock Ring Assembly, 7/8 - 14
❖	88051	Hex Key Wrench, .050
❖	09534	Hex Key Wrench, 5/64
❖	09635	Hex Key Wrench, 3/32
❖	86794	Hex Key Wrench, 1/8
❖	81150	Hex Key Wrench, 5/32
❖	86795	Hex Key Wrench, 9/64
❖	86796	Hex Key Wrench, 5/16
❖	88055	Hex Speed Wrench, 5/16
❖	86857	Rock Chucker Piggyback Handle Assembly (Optional)

❖ Not shown.
* See current Shooters Catalog for this item.

RELOADING PRESSES

87807 PIGGYBACK II

Key	Part #	Description
1	88753	Powder Measure Return Spring
2	88757	Return Spring Tab
3	88724	Quick Change Collar
4	88052	Collar Lock Screw
5	88736	Powder Drop Tube, Small Rifle
5	88784	.17 Cal. Drop Tube
5	88795	Powder Drop Tube, Pistol
6	88794	Powder Measure Adaptor Tube
7	88739	Powder Measure Male Adaptor
8	87654	Retaining Ring
9	87650	Nylon Index Bushing (2)
10	87651	Inner Race
11	88032	3/8-16 x 3/4 FHS
12	88001	Top Plate
13	09099	Setscrew 10-32x1/4
14	88027	Hex Nut 3/8-24
15	88026	Cam Wire Clip
16	88060	Cam Wire Assembly w/ Retaining Ring
17	87670	Retaining Ring
18	87653	Clutch Bearing
19	87658	Clutch Bearing Washer
20	09143	Retaining Ring
21	88793	Support Rod (3)
22	88033	Setscrew 1/4-28x1 1/4
23	87175	Hex Nut 1/4- 28
24	88007	Piggyback Lock Nut
25	88718	Index Locating Pin
26	88011	Rock Chucker Locating Pin
27	88028	Spent Primer Tube
28	87178	Spent Primer Bottle Cap
29	87177	Spent Primer Bottle
30	88005	Upper Ram
31	88004	Ram Adaptor
32	88031	Ammo Catcher Box
33	87677	Cylinder Handle
34	09599	Cotter Pin
35	87679	Connecting Yoke
36	87670	Retaining Ring
37	88792	Case Detection Push Rod
38	88785	Index Rod
39	88720	Knurled Screw 8-32 (2)
40	87657	Retaining Ring (2)
41	88003	Connecting Plate
42	88009	Shoulder Bolt
43	88726	Case Detection Arm
44	88729	Case Detection Spring
❖	88048	Primer Follower
❖	88049	Lock Nut / Die Wrench
❖	87501	Hex Lock Ring Assembly, 7/8-14 (3)
❖	88051	Hex Key Wrench, .050
45	88775	Case Detection Arm Pin
46	88776	Detection Arm Pin Sleeve
47	88043	Screw 4-40 x 1/4
48	*	Five Station Shell Plate
49	88038	Case Eject Spring
50	88717	Case Retaining Spring Plug (3)
51	7-88797	Primer Plug, Large
51	7-88796	Primer Plug, Small
52	88751	Station 2 & 4 Case Retaining Spring
53	88752	Station 5 Case Retaining Spring
54	87152	Index Ball
55	88037	Index Ball Spring
56	88790	Cap Screw 1/4-28x1/2 (2)
57	88786	Shell Plate Holder
58	09509	Setscrew 8-32x1/4



Key	Part #	Description
59	88044	Primer Dispenser, Small
59	88045	Primer Dispenser, Large
60	7-88696	Primer Bushing
61	7-88697	Primer Boss
62	88015	Transfer Bar, Small
62	88016	Transfer Bar, Large
63	88021	Roller Carrier (2)
64	88035	Hex Nut 8-32 (2)
65	88034	SHSS 8-32 3/4 X 1/4
66	88018	Spring Retainer Rivet (2)
67	88017	Spring Retainer (2)
68	88019	Return Spring
69	87687	Cap Screw 10-32 x 1/4 (2)
70	88020	Cam Rollers (2)
71	88737	Roller Pins (2)
72	09582	Primer Tube, Small
72	09581	Primer Tube, Large
73	88791	Shell Plate Holder Adaptor
74	88787	Bottom Plate

Key	Part #	Description
75	87652	Wave Washer
76	88014	Primer Plug Spring
77	88042	Primer Plug Clip
❖	88060	Cam Wire Assembly (key #'s 16 & 17)
❖	88062	Roller Carrier Assembly (key #'s 63 & 71)
❖	88788	Shell Plate Holder Assembly (key #'s 50, 51, 52, 53, & 57)
❖	88064	Top Plate Assembly (key #'s 8,9,10,12,18,19, & 20)
❖	88065	Primer Transfer Roller Assembly (key #'s 63, 64, 65, 66, 67, 69, 70, & 71)
❖	86857	Rock Chucker Piggyback Handle Assembly (Optional)
❖	09534	Hex Key Wrench, 5/64
❖	09635	Hex Key Wrench, 3/32
❖	86756	Hex Key Wrench, 5/16
❖	88055	Hex Speed Wrench, 5/16

❖ Not shown.

* See current Shooters Catalog for this item.

RELOADING PRESSES

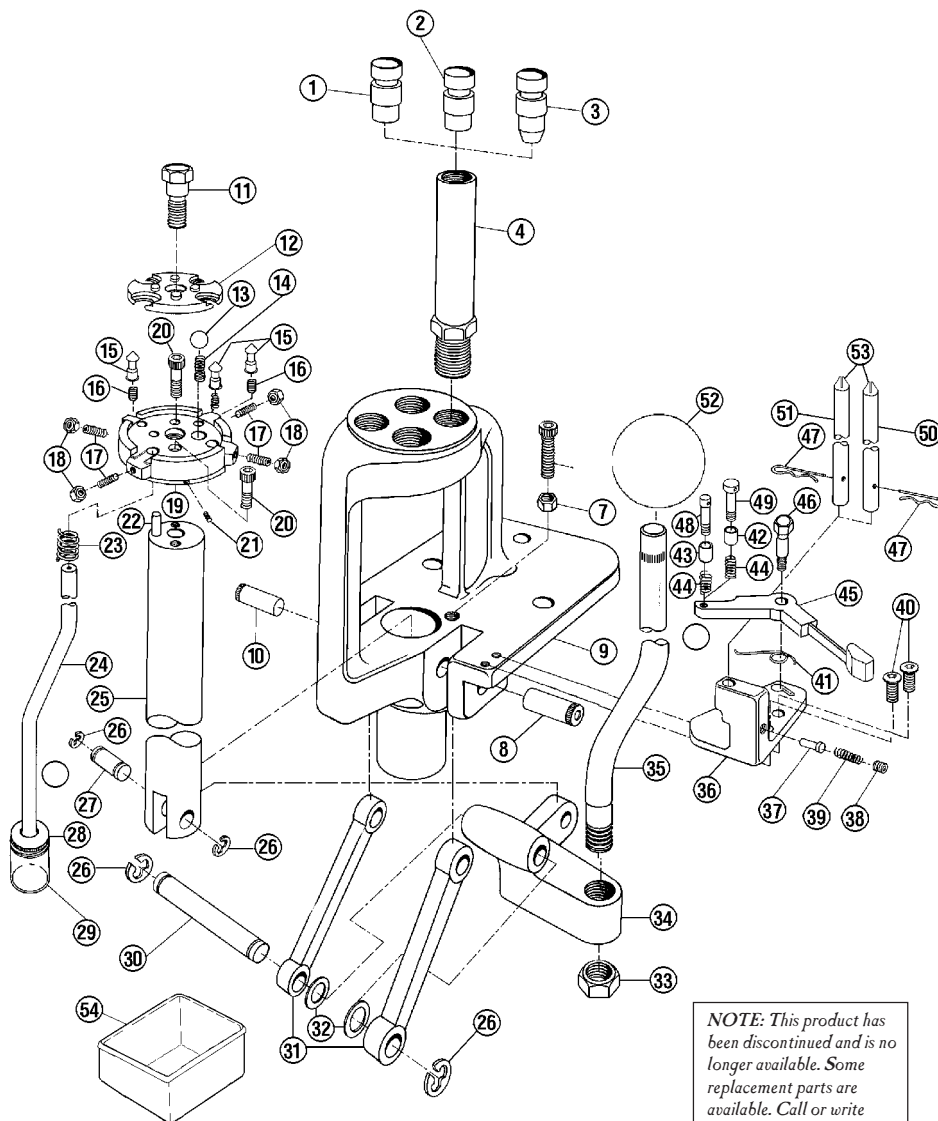


87100 4X4 PRESS

Key	Part #	Description
1	87191	Small Rifle Drop Tube
2	87192	Large Rifle Drop Tube
3	87193	Pistol Drop Tube
4	87190	Powder Measure Adaptor
7	87175	1/4" (28) Hex Nut
8	09128	Link Arm Pin, Right
9	87140	Press Frame
10	09127	Link Arm Pin, Left
11	87151	Ram Shoulder Bolt
12	*	Shell Plate
13	87152	Index Ball 3/8"
14	87153	Index Ball Spring
15	87154	Case Detent
16	87155	Case Detent Spring
17	87156	Socket Head Setscrew 6/32" x 3/8"
18	87157	Hex Lock Nut 6/32"
19	87150	Shell Plate Holder
20	87159	1/4" (28) x 3/4" Socket Screw
21	87160	10-32 x 3/8" Brass Tipped SHSS
22	87158	3/16" x 5/8" Roll Pin
23	87167	Ram Return Spring
24	87176	Depriming Tube
25	87165	Ram
26	09105	Retaining Ring
27	87166	Ram Pin
28	87178	Depriming Bottle Cap
29	87177	Depriming Bottle
30	87146	Toggle Block Pin
31	09150	Link Arm
32	09144	Bow Washer 134-5-20
33	09136	Handle Nut 5/8" (18)
34	87145	Toggle Block
35	87171	Handle Shaft
36	87695	Priming Plate
37	09595	APF Stop Pin
38	09591	Set Screw 1/4" 28 x 3/16" Cup Point
39	09596	APF Coil Spring
40	87181	Button Head Cap Screw 10/32" x 5/8"
41	87184	Priming Return Spring
42	09506	Primer Sleeve UPA, Large
43	09507	Primer Sleeve UPA, Small
44	09508	Primer Plug Coil Spring
45	87694	Priming Arm
46	87183	Priming Shoulder Bolt
47	09599	APF Cotter Pin
48	09555	Primer Plug UPA, Small
49	09554	Primer Plug UPA, Large
50	09582	APF Tube, Small
51	09581	APF Tube, Large
52	09121	Handle Ball
53	09585	Primer Pick Up
53	09586	Primer Pick Up
54	86625	Ammunition Catcher Box
❖	86852	Ball Handle Assembly
❖	86794	Hex Key Wrench - 1/8"
❖	81150	Hex Key Wrench - 3/32"
❖	87161	Hex Key Wrench - 1/16"
❖	86765	Wrench - 1/4"
❖	86764	Cleaning Brush
❖	09311	Case Lube (2)
❖	09480	Primer Tray
❖	87505	Hex Lock Nut - 7/8" - 1

❖ Not shown.

* See current Shooters Catalog for this item.

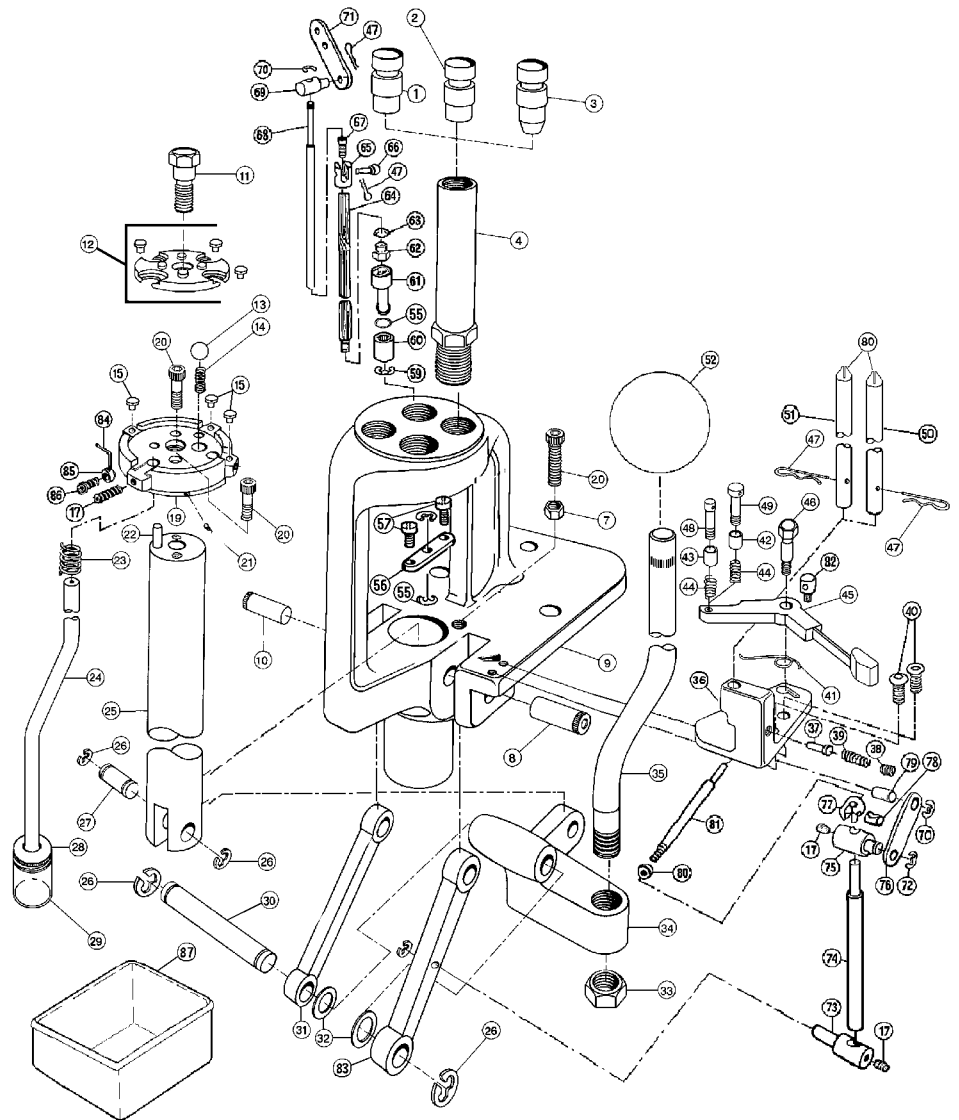


NOTE: This product has been discontinued and is no longer available. Some replacement parts are available. Call or write RCBS Customer Service for information.

RELOADING PRESSES

87105 AUTO 4X4 PROGRESSIVE RELOADING PRESS

Key	Part #	Description
1	87191	Small Rifle Drop Tube
2	87192	Large Rifle Drop Tube
3	87193	Pistol Drop Tube
◆	87194	.17 Cal. Drop Tube (optional)
4	87190	Powder Measure Adaptor
7	87175	1/4" (28) Hex Nut
8	09128	Link Arm Pin, Right
9	87140	Press Frame*
10	09127	Link Arm Pin, Left
11	87691	Ram Shoulder Bolt
12	*	Shell Plate Assembly
13	87152	Index Ball 3/8"
14	87153	Index Ball Spring
15	*	Case Retaining Button (3)
19	87692	Shell Plate Holder
20	87159	1/4" (28) x 3/4" Socket Screw
21	87160	10-32 x 3/8" Brass Tipped SHSS
22	87158	3/16" x 5/8" Roll Pin
23	87167	Ram Return Spring
24	87176	Depriming Tube
25	87165	Ram
26	09105	Retaining Ring
27	87166	Ram Pin
28	87178	Depriming Bottle Cap
29	87177	Depriming Bottle
30	87146	Toggle Block Pin
31	09150	Link Arm, Left
32	09144	Bow Washer 134-5-20
33	09136	Handle Nut 5/8" (18)
34	87145	Toggle Block
35	87171	Handle Shaft
36	87695	Priming Plate
37	09595	APF Stop Pin
38	09591	Set Screw 1/4" 28 x 3/16" Cup Point
39	09596	APF Coil Spring
40	87181	Button Head Cap Screw 10/32" x 5/8"
41	87184	Priming Return Spring
42	09506	Primer Sleeve UPA, Large
43	09507	Primer Sleeve UPA, Small
44	09508	Primer Plug Coil Spring
45	87694	Priming Arm
46	87183	Priming Shoulder Bolt
47	09599	APF Cotter Pin
48	09555	Primer Plug UPA, Small
49	09554	Primer Plug UPA, Large
50	09582	APF Tube, Small
51	09581	APF Tube, Large
52	09121	Handle Ball
55	87652	Wave Washer (2)
◆	86852	Ball Handle Assembly
56	87657	Retaining Ring
57	87655	Shell Plate Driver
58	87659	Pan Head Screw 8-32 x 3/16
59	09143	Retaining Ring
60	87653	Clutch
61	87651	Inner Race
62	87650	Index Bushing, Nylon
63	87654	Retaining Ring
64	87656	Index Rod
65	87676	Connector
66	87678	Cross Pin
67	87680	8-32 x 1/4 Socket Screw
68	87675	Connecting Rod
69	87679	Handle Connecting Yoke



Key	Part #	Description
70	87670	Retaining Ring
71	87677	Cylinder Handle
72	80056	Retaining Ring
73	87669	Yoke, Long
74	87668	Rod, Long
75	87667	Yoke, Short
76	87666	Connector Link
77	87660	Connector 10-32
78	87663	Swivel
79	87665	Link Pin

Key	Part #	Description
80	09603	Hex Nut 10 x 32
81	87662	Push Rod
82	87664	Connector
83	87693	Link Arm, Right
84	87686	Case Ejector Spring
85	87685	Wire Clamp
86	81109	Socket Screw 10-32
87	86625	Ammo Catcher Box

◆ Not shown

* See current Shooters Catalog for this item

◆ Not available separately

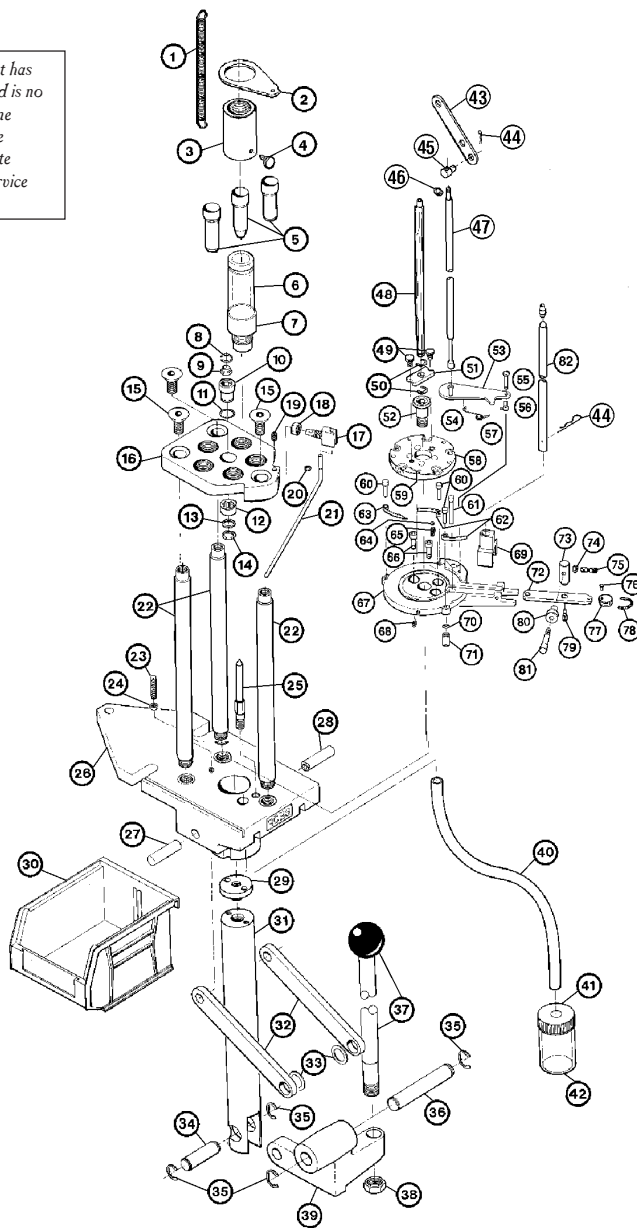
RELOADING PRESSES



88704 AMMOMASTER AUTO I

Key	Part #	Description
1	88753	Powder Measure Return Spring
2	88757	Return Spring Tab
3	88724	Quick Change Collar
4	88052	Collar Lock Screw
5	88736	Small Rifle Drop Tube
5	88784	17 Cal. Drop Tube (optional)
5	88735	Large Rifle Drop Tube
5	88734	Pistol Drop Tube
6	88723	Powder Measure Adaptor Tube
7	88739	Powder Measure Male Adaptor
8	87654	Retaining Ring
9	87650	Nylon Index Bushing (2)
10	87651	Inner Race
11	87652	Wave Washer
12	87653	Clutch Bearing
13	87658	Roller Clutch Washer
14	09143	Retaining Ring
15	88032	3/8 - 16x3/4 FHSS (3)
16	88001	Top Plate
17	88026	Cam Wire Clip
18	88027	3/8 - 24 Hex Nut
19	09099	10 - 32 x 1/4 Setscrew
20	87670	Retaining Ring
21	88725	Cam
22	88722	Support Rod (3)
23	88033	1/4 - 28 x 1/4 Setscrew
24	87175	1/4 - 28 Lock Nut
25	88718	Index Locating Pin
26	88710	Base
27	09127	Link Pin, Left
28	09128	Link Pin, Right
29	88716	Shell Plate Holder Adaptor
30	88031	Ammo Catcher Box
31	88714	Ram
32	88719	Linkage Arms (2)
33	09144	Bow Washer (2)
34	87166	Ram Pin
35	09105	1/2 Retaining Ring (4)
36	88712	Toggle Block Pin
37	86857	Handle
38	09136	Handle Lock Nut
39	88711	Toggle Block
40	88733	Spent Primer Tube
41	87178	Spent Primer Bottle Cap
42	87177	Spent Primer Bottle
43	87677	Cylinder Handle
44	09599	Cotter Pin (2)
45	87679	Connecting Yoke
46	87670	Retaining Ring
47	88727	Case Detection Push Rod
48	88721	Index Rod
49	88720	8 - 32 Knurled Screw (2)
50	87657	Retaining Ring (2)
51	88003	Connecting Plate
52	88009	Shoulder Bolt
53	88726	Case Detection Arm
54	88729	Case Detect Spring
55	88775	Case Detect Arm Pin
56	88776	Detection Arm Pin Sleeve
57	88043	4 x 40 x 1/4 Screw
58	*	Five Station Shell Plate
59	88038	Case Eject Spring

NOTE: This product has been discontinued and is no longer available. Some replacement parts are available. Call or write RCBS Customer Service for information.



Key	Part #	Description
60	88717	Case Retaining Spring Plug (3)
61	88013	Primer Plug, Large
61	88012	Primer Plug, Small
62	88751	Station 2 & 4 Case Retaining Spring
63	88752	Station 5 Case Retaining Spring
64	87152	Index Ball
65	88037	Index Ball Spring
66	87159	1/4 - 28 x 3/4 Cap Screw (2)
67	88786	Shell Plate Holder
68	09509	8-32 x 1/4 Setscrew
69	88044	Primer Dispenser, Small
69	88045	Primer Dispenser, Large
70	88014	Primer Plug Spring
71	88042	Primer Plug Clip
72	88015	Transfer Bar, Small
72	88016	Transfer Bar, Large
73	88021	Roller Carrier (2)
74	88035	8 - Hex Nut (2)
75	88034	8 - 32 x 3/4 SHSS

Key	Part #	Description
76	88018	Spring Retainer Rivet (2)
77	88017	Spring Retainer (2)
78	88019	Return Spring
79	87687	10 - 32 x 1/4 Cap Screw (2)
80	88020	Cam Rollers (2)
81	88737	Roller Pins (2)
82	09582	Primer Tube, Small
82	09581	Primer Tube, Large
❖	88048	Primer Follower
❖	87501	Hex Lock Rings
❖	88051	Hex Key Wrench .050
❖	09534	Hex Key Wrench 5/64
❖	09635	Hex Key Wrench 3/32
❖	86796	Hex Key Wrench 5/16
❖	88741	Star Wheel
❖	88758	Ram Return Spring
❖	788773	Parts Kit

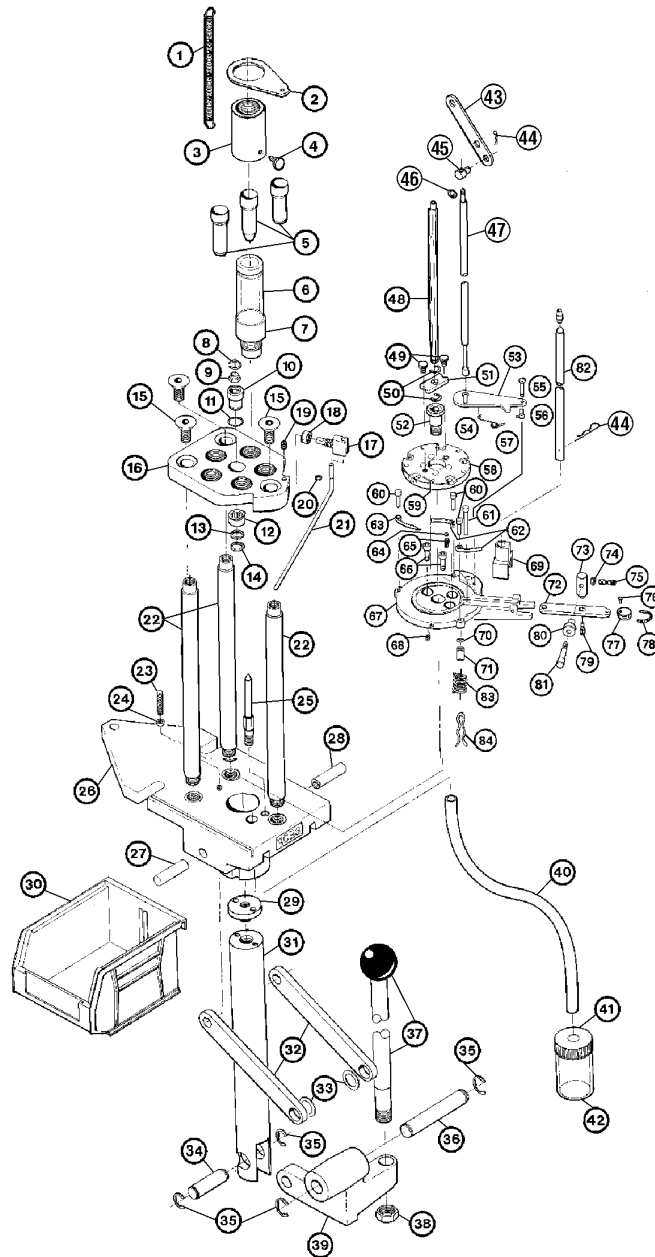
❖ Not shown.

* See current Shooters Catalog for this item.

RELOADING PRESSES

88704 AMMOMASTER AUTO II

Key	Part #	Description
1	88753	Powder Measure Return Spring
2	88757	Return Spring Tab
3	88724	Quick Change Collar
4	88052	Collar Lock Screw
5	88736	Small Rifle Drop Tube
5	88784	17 Cal. Drop Tube (optional)
5	88735	Large Rifle Drop Tube
5	88734	Pistol Drop Tube
6	88723	Powder Measure Adaptor Tube
7	88739	Powder Measure Male Adaptor
8	87654	Retaining Ring
9	87650	Nylon Index Bushing (2)
10	87651	Inner Race
11	87652	Wave Washer
12	87653	Clutch Bearing
13	87658	Roller Clutch Washer
14	09143	Retaining Ring
15	88032	3/8 - 16x3/4 FHSS (3)
16	88001	Top Plate
17	88026	Cam Wire Clip
18	88027	3/8 - 24 Hex Nut
19	09099	10 - 32 x 1/4 Setscrew
20	87670	Retaining Ring
21	88725	Cam
22	88722	Support Rod (3)
23	88033	1/4 - 28 x 1/4 Setscrew
24	87175	1/4 - 28 Lock Nut
25	88718	Index Locating Pin
26	88710	Base
27	09127	Link Pin, Left
28	09128	Link Pin, Right
29	88716	Shell Plate Holder Adaptor
30	88031	Ammo Catcher Box
31	88714	Ram
32	88719	Linkage Arms (2)
33	09144	Bow Washer (2)
34	87166	Ram Pin
35	09105	1/2 Retaining Ring (4)
36	88712	Toggle Block Pin
37	788693	Ball Handle Assembly
38	09136	Handle Lock Nut
39	788695	Toggle Block
40	88733	Spent Primer Tube
41	87178	Spent Primer Bottle Cap
42	87177	Spent Primer Bottle
43	87677	Cylinder Handle
44	09599	Cotter Pin (2)
45	87679	Connecting Yoke
46	87670	Retaining Ring
47	788694	Case Detection Push Rod II
48	788690	Index Rod
49	88720	8 - 32 Knurled Screw (2)
50	87657	Retaining Ring (2)
51	88003	Connecting Plate
52	88009	Shoulder Bolt
53	88726	Case Detection Arm
54	88729	Case Detect Spring
55	88775	Case Detect Arm Pin
56	88776	Detection Arm Pin Sleeve
57	88043	4 x 40 x 1/4 Screw
58	*	Five Station Shell Plate
59	88038	Case Eject Spring
60	88717	Case Retaining Spring Plug (3)
61	788797	Primer Plug, Large



Key	Part #	Description	Key	Part #	Description
61	788796	Primer Plug, Small	78	88019	Return Spring
62	88751	Station 2 & 4 Case Retaining Spring	79	87687	10 - 32 x 1/4 Cap Screw (2)
63	88752	Station 5 Case Retaining Spring	80	88020	Cam Rollers (2)
64	87152	Index Ball	81	88737	Roller Pins (2)
65	88037	Index Ball Spring	82	09582	Primer Tube, Small
66	87159	1/4 - 28 x 3/4 Cap Screw (2)	82	09581	Primer Tube, Large
67	88786	Shell Plate Holder	83	88014	Coil Spring
68	09509	8-32 x 1/4 Screw	84	88042	Hair Pin Clip
69	88044	Primer Dispenser, Small	❖	88048	Primer Follower
69	88045	Primer Dispenser, Large	❖	87501	Hex Lock Rings
70	788696	Primer Plug Bushing	❖	88051	Hex Key Wrench .050
71	788697	Primer Plug Boss	❖	09534	Hex Key Wrench 5/64
72	88015	Transfer Bar, Small	❖	09635	Hex Key Wrench 3/32
72	88016	Transfer Bar, Large	❖	86796	Hex Key Wrench 5/16
73	88021	Roller Carrier (2)	❖	88741	Star Wheel
74	88035	8 - Hex Nut (2)	❖	88758	Ram Return Spring
75	88034	8 - 32 x 3/4 SHSS	❖	7-88773	Parts Kit
76	88018	Spring Retainer Rivet (2)			
77	88017	Spring Retainer (2)			

❖ Not shown.

* See current Shooters Catalog for this item.

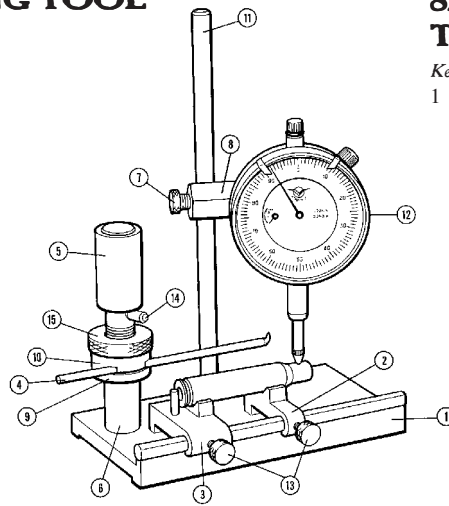
CASE PREPARATION



87310 CASE MASTER GAUGING TOOL

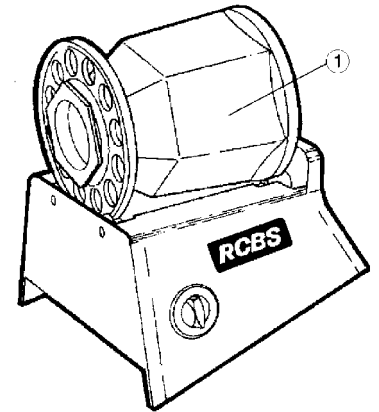
Key	Part #	Description
1	791021	Base
2	791014	V-Block, Small
3	791015	V-Block, Large
4	787314	Probe
5	787315	Case Neck Pin Sleeve
6	787316	Probe Stand
7	787317	Thumbscrew, 8-32, Brass
8	787318	Indicator Adjustment Bracket
9	787320	Probe Retainer Sleeve
10	787321	Probe Retainer
11	787322	Support Rod
12	187327	Dial Indicator
13	787328	Thumbscrew, 10-32, Brass (2)
14	787329	Case Neck Pin
15	787331	Knurled Nut, 9/16"-18
❖	187319	Thumbscrew, 8-32
❖	787323	Flat Indicator Tip
❖	187324	Flathead Allen Cap Screw (2)
❖	187330	Accessory Base Plate Lockdown Screw (2)

❖ Not shown.



87000 SIDEWINDER CASE TUMBLER

Key	Part #	Description
1	87050	Drum Assembly



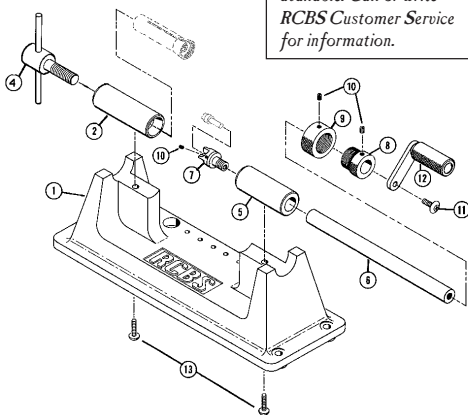
09369 ROTARY CASE TRIMMER

Key	Part #	Description
1	◆	Base
2	09401	Collet Holder
4	09411	Collet Draw Screw Assembly
5	09404	Cutter Guide
6	09405	Cutter Shaft
7	09406	Cutter
8	09407	Adjustment Bushing
9	09408	Fine Adjustment Bushing
10	09409	Setscrew, 8/32x1/8 (3)
❖	09410	Brass Buffer (2)
11	09019	Handle Screw
12	09414	Handle Assembly
13	09413	Base Screw, 10/32 x 1/2 (2)

❖ Not shown

◆ Not available separately.

NOTE: This product has been discontinued and is no longer available. Some replacement parts are available. Call or write RCBS Customer Service for information.

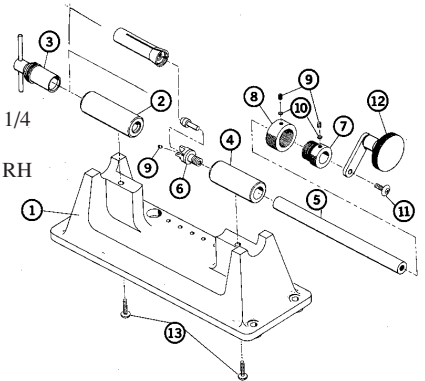


09370 ROTARY CASE TRIMMER-2

Key	Part #	Description
1	◆	Base
2	98936	Collet Holder Sleeve
3	98947	Collet Holder Assembly
4	98938	Cutter Guide
5	09405	Cutter Shaft
6	09406	Cutter
7	09407	Adjustment Bushing
8	09408	Fine Adjustment Bushing
9	09409	Setscrew, 8/32 x 1/8 (3)
10	09410	Brass Buffer (2)
11	09019	Binder Head Screw 10/32 x 1/4
12	98948	Palm Handle Assembly
13	09413	Machine Screw 10/32 x 1/2 RH

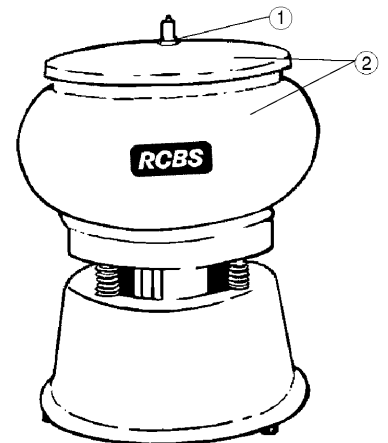
◆ Not available separately

NOTE: This product has been discontinued and is no longer available. Some replacement parts are available. Call or write RCBS Customer Service for information.



87088 VIBRATORY CASE CLEANER

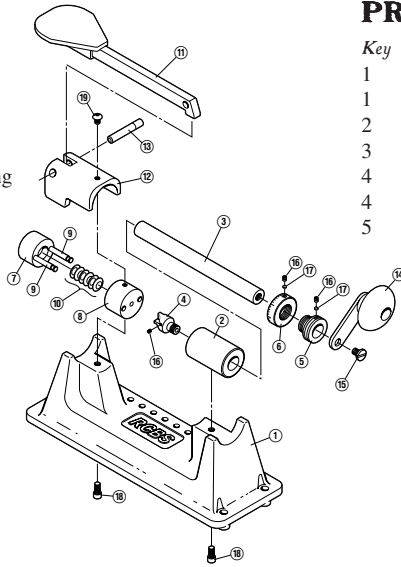
Key	Part #	Description
1	55005	Lock Nut
2	87096	Bowl & Lid Set



CASE PREPARATION

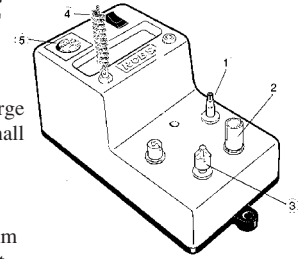
90357 TRIM PRO MANUAL CASE TRIMMER

Key	Part #	Description
1	786100	Trim Pro Base
2	98938	RCT Cutter Guide
3	09405	RCT Cutter Shaft
4	09406	RCT Cutter
5	09407	RCT Adjustment Bushing
6	09408	TP Fine Adjustment Bushing
7	786101	TP Spring Holder
8	786102	TP Compression Pin
9	786103	TP Actuating Rod (2)
10	186131	TP Disc Spring (6)
11	786122	TP Handle Lever Assembly
12	786121	TP Handle Support
13	786107	TP Handle Pin
14	98948	TP Palm Handle Assembly
15	09019	Screw, 10-32 x 1/4"
16	09409	Screw, 8-32 x 1/8 (3)
17	09410	Brass Buffer (2)
18	86624	Screw, 10-32 x 5/8" (2)
19	186144	Screw, 10-32 x 3/8"



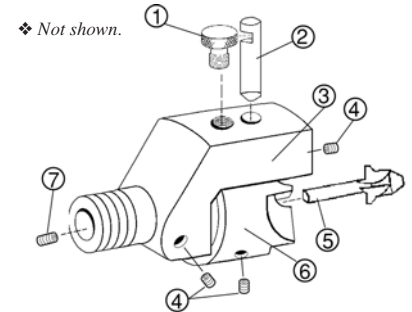
90375 TRIM MATE CASE PREP CENTER

Key	Part #	Description
1	09577	Primer Pocket Brush, Large
1	09578	Primer Pocket Brush, Small
2	7-91016	Outside Deburring Tool
3	7-91013	Inside Deburring Tool
4	09327	Case Neck Brush, Small
4	09328	Case Neck Brush, Medium
5	90377	Dry Case Neck Lubricant



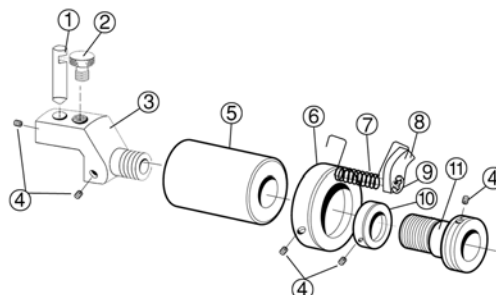
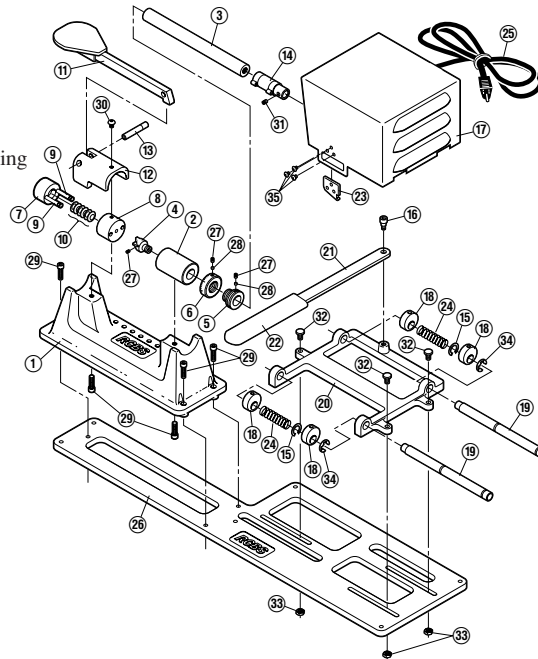
TRIM PRO 3-WAY CUTTER

Key	Part #	Description
1	786188	Adjustment Screw
2	786187	Chamfering Tool
3	786186	Cutter Head
4	09409	Setscrew 8-32 x 1/8 (3)
5	786190	Deburring Pilot .22
5	786191	Deburring Pilot 6mm
5	786192	Deburring Pilot .25
5	786193	Deburring Pilot 6.5mm
5	786194	Deburring Pilot .270
5	786195	Deburring Pilot 7mm
5	786196	Deburring Pilot .30
6	786185	Cutter
7	87156	Setscrew 6-32 x 3/8
❖	09534	Hex Key Wrench 5/64



90350 TRIM PRO POWER CASE TRIMMER

Key	Part #	Description
1	786100	Trim Pro Base
2	98938	RCT Cutter Guide
3	09405	RCT Cutter Shaft
4	09406	RCT Cutter
5	09407	RCT Adjustment Bushing
6	09408	RCT Fine Adjustment Bushing
7	786101	TP Spring Holder
8	786102	TP Compression Pin
9	786103	TP Actuating Rods (2)
10	186131	TP Disc Spring (6)
11	786122	TP Handle Lever Assembly
12	786121	TP Handle Support
13	786107	TP Handle Pin
14	786176	TP Coupling Assembly
15	09143	Retaining Ring 318 Small
16	786117	TP Handle Shoulder Bolt
17	786112	TP Motor Cover
18	786113	TP Bearing (4)
19	786115	TP Rod Guide (2)
20	786135	TP Motor Base Plate
21	786116	TP Motor Handle
22	186136	TP Handle Grip
23	786118	TP Handle Stop
24	186138	TP Drive Spring
25	186139	TP Power Cord
26	186140	TP Unit Mounting Plate
27	09409	Screw, 8-32 x 1/8" (3)
28	09410	Brass Buffer (2)
29	86624	Screw, 10-32 x 5/8" (5)
30	186114	Screw, 10-32 x 3/8"
31	87030	Screw, 10-32 x 1/8"
32	186146	Screw, 10-32 x 1/2" (3)
33	09603	Hex Nut, 10-32 (3)
34	09266	Retaining Ring (2)
35	186150	Screw, 6-32 x 1/8" (3)



98860 CASE NECK TURNING TOOL

Key	Part #	Description
1	98864	Turning Tool
2	98865	Adjusting Screw
3	98863	Cutter Head
4	09409	Set Screw 8-32 x 1/8 (5)
5	98862	Cutter Guide
6	98866	Clamp Ring
7	98871	Torsion Spring
8	98868	Feed Nut 3/4-64
9	87657	Retaining E Ring
10	98872	Stop Collar
11	98867	Feed Screw
❖	98870	Feed Nut Stud
❖	09534	Hex Key Wrench 5/64

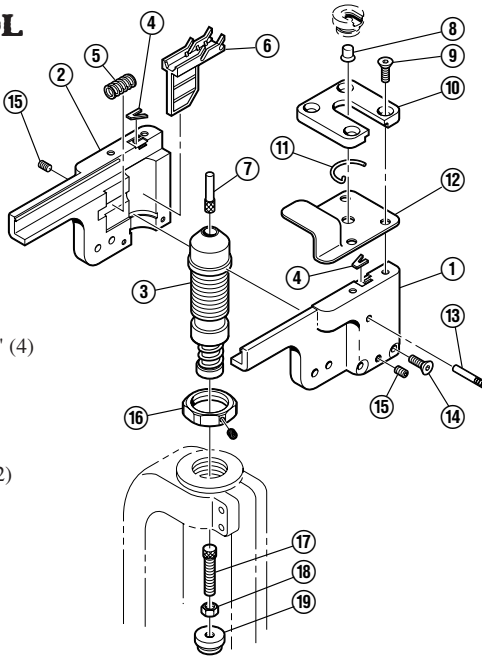
❖ Not shown.

PRIMING ACCESSORIES



88503 APS PRESS PRIMING TOOL

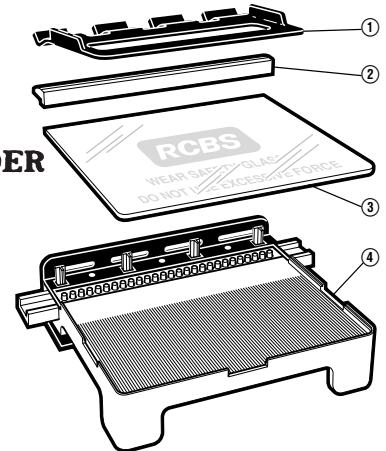
Key	Part #	Description
1	784103	Housing, Front
2	784104	Housing, Back
3	784116	Press Mount Cam Assembly
4	186231	Detent (2)
5	186236	Compression Spring
6	186230	Pusher
7	784111	Primer Rod, Sm.
7	784112	Primer Rod, Lg.
8	186232	Bushing, Lg.
8	186233	Bushing, Sm.
9	186239	Flat Socket Head Cap Screw 8-32 x 1/2" (4)
10	784102	Top Cap
11	09111	Shell Holder ram Clip Spring
12	102441	Top Plate
13	784106	Cam Lock Pin
14	186240	Flat Socket Head Cap Screw 8-32 x 1"(2)
15	186238	Setscrew 10-24 x 5/16" (2)
16	87501	Lock Ring Assembly
17	784105	Adjustment Rod
18	09604	Lock Nut 1/4"-28
19	784100	Adjustment Rod Holder



88505 APS STRIP LOADER

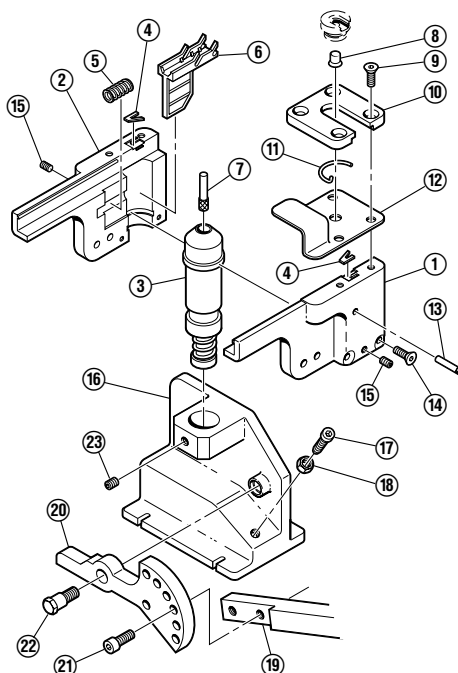
Key	Part #	Description
1	784133	Lever
2	186247	Primer Seater
3	186245	Tray Lid
4	◆	Base Assembly

◆ Not available separately



88501 APS BENCH PRIMING TOOL

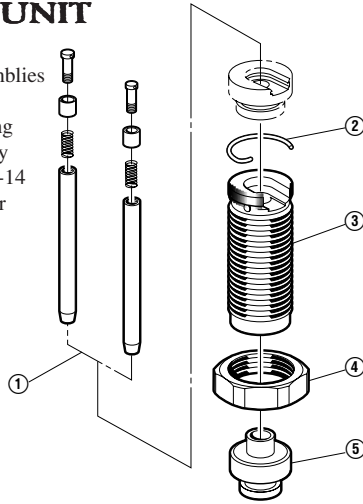
Key	Part #	Description
1	784103	Housing, Front
2	784104	Housing, Back
3	784117	Bench mount Cam Assembly
4	186231	Detent (2)
5	186236	Compression Spring
6	186230	Pusher
7	784111	Primer Rod, Small
7	784112	Primer Rod, Large
8	186232	Bushing, Large
8	186233	Bushing, Small
9	186239	Flat Socket Head Cap Screw 8-32 x 1/2" (4)
10	784102	Top Cap
11	09111	Shell Holder Ram Clip Spring
12	102441	Top Plate
13	784106	Cam Lock Pin
14	186240	Flat Socket Head Cap Screw 8-32 x 1"(2)
15	186238	Setscrew 10-24 x 5/16" (2)
16	784115	Bench Mount Base
17	187159	Socket Head Cap Screw 1/4-28 x 3/4
18	109467	Hex Nut 1/4 - 28
19	784113	Handle
20	784108	Bench Mount Pivot
21	186235	Socket Head Cap Screw 1/4-20 x 3/4 (2)
22	09464	Shoulder Bolt
23	09467	Setscrew 5/16-18 x 3/8 Half Dog



PRIMING ACCESSORIES

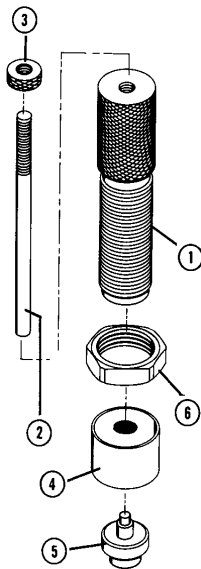
09165 RAM PRIMING UNIT

Key	Part #	Description
1	09471	Primer Rod Assemblies (Lg. & Sm.)
2	09111	Shell Holder Spring
3	09175	Ram Priming Body
4	87505	Hex Lock Nut 7/8-14
5	09176	Primer Rod Holder



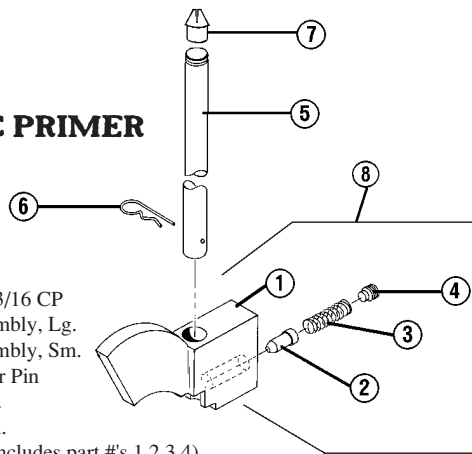
09495 PRIMER POCKET SWAGER COMBO

Key	Part #	Description
1	09485	Swager Body
2	09486	Swager Rod
2	09498	Swager Rod .223 Rem
3	09604	Lock Ring, 1/4-28
4	09487	Case Stripper
-	09488	Case Stripper Washer (for A-2 Press)
4	09489	Case Stripper for Big Max
4	09490	Case Stripper (for Ammo. Mstr. Single)
5	09483	Swager Head, Large
5	09484	Swager Head, Small
6	87505	Hex Lock Nut, 7/8-14



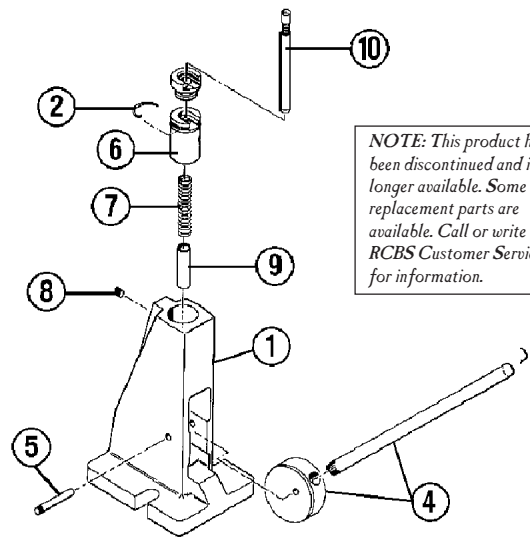
09580 AUTOMATIC PRIMER FEED COMBO

Key	Part #	Description
1	09598	Body
2	09595	Stop Pin
3	09596	Coil Spring
4	09591	Setscrew, 1/4-28x3/16 CP
5	09581	Primer Tube Assembly, Lg.
5	09582	Primer Tube Assembly, Sm.
6	09599	Primer Tube Cotter Pin
7	09585	Primer Pickup, Lg.
7	09586	Primer Pickup, Sm.
8	09594	Body Assembly (Includes part #'s 1,2,3,4)



09512 STANDARD PRIMING TOOL

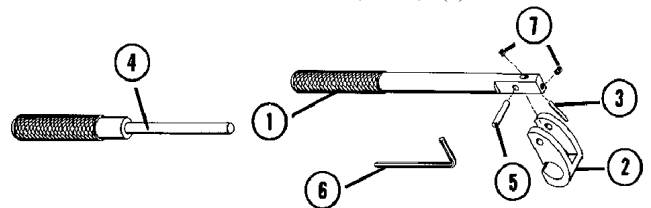
Key	Part #	Description
1	09513	Main Body Casting
2	09111	Spring Clip
4	09514	Handle Cam Assembly
5	09518	Handle Cam Pin
6	09519	Shell Holder Adaptor
7	09520	Coil Spring
8	09591	Setscrew, 1/4-28x3/16" CP
9	09522	Adaptor Sleeve
10	09471	Primer Rod Assembly (Lg & Sm)



NOTE: This product has been discontinued and is no longer available. Some replacement parts are available. Call or write RCBS Customer Service for information.

09525 BERDAN DECAPPING TOOL

Key	Part #	Description
1	09526	Handle
2	09527	Head
3	09528	Decapping Pin
4	09532	Case Holder
5	09533	Head Cross Pin
6	09534	Allen Wrench 5/64
7	09509	Setscrew 8/32 x 1/4 (2)

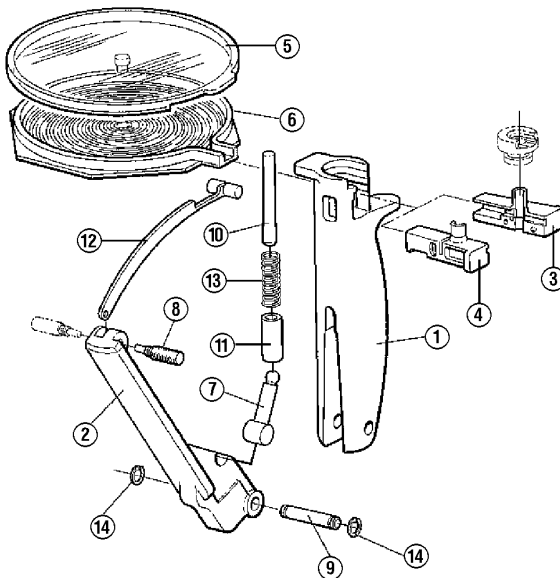


PRIMING ACCESSORIES



90200 HAND PRIMING TOOL

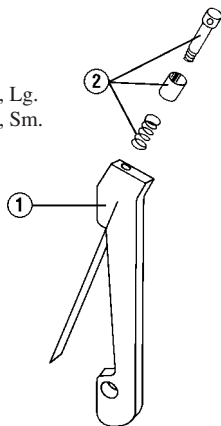
Key	Part #	Description
1	7-90201	Hand Priming Tool Body
2	7-90202	Handle
3	1-90203	Primer Feed, Large Right Half
3	1-90205	Primer Feed, Small Right Half
4	1-90204	Primer Feed, Large Left Half
4	1-90206	Primer Feed, Small Left Half
5	1-90207	Primer Tray Lid
6	1-90208	Primer Tray
7	7-90220	Pivot Link Assembly
8	7-90211	Safety Gate Screw
9	7-90212	Handle Pin
10	7-90213	Primer Rod, Small
10	7-90214	Primer Rod, Large
11	7-90215	Link Follower
12	1-90221	Safety Gate Assembly
13	1-90217	Return Spring
14	187549	Retaining Ring (2) External



09550 UNIVERSAL PRIMER ARM-2

Key	Part #	Description
1	◆	Body
2	09552	Plug & Sleeve & Spring, Lg.
2	09553	Plug & Sleeve & Spring, Sm.

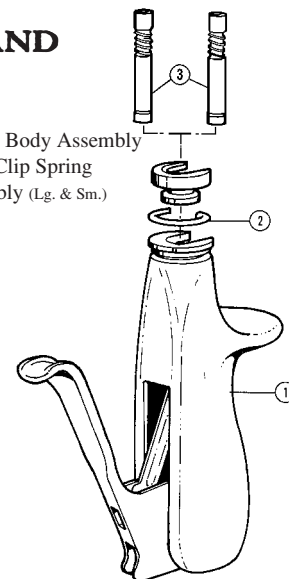
◆ Not Available Separately



09450 POSI-PRIME HAND PRIMING TOOL

Key	Part #	Description
1	◆	Hand Priming Tool Body Assembly
2	09111	Shell Holder Ram Clip Spring
3	09549	Primer Rod Assembly (Lg. & Sm.)

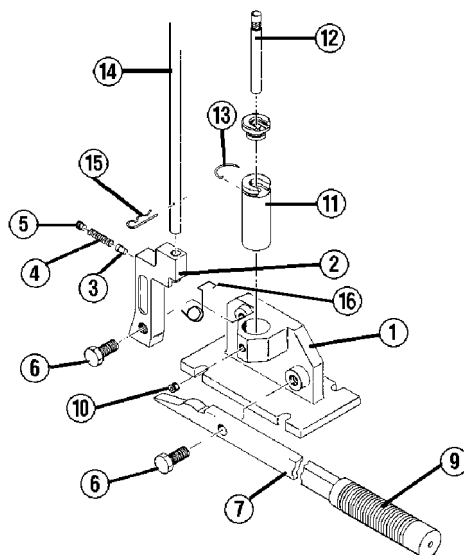
◆ Not Available Separately



NOTE: This product has been discontinued and is no longer available. Some replacement parts are available. Call or write RCBS Customer Service for information.

09460 AUTOMATIC PRIMING TOOL

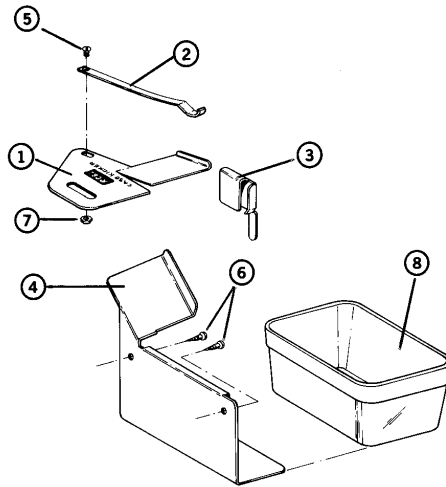
Key	Part #	Description
1	09462	Main Body Casting
2	09472	Automatic Primer Feed Arm
3	09595	Stop Pin
4	09596	Coil Spring
5	09591	Setscrew, 1/4-28 x 3/16 CP
6	09464	Shoulder Bolt 7/16
7	09473	Handle
9	09264	Handle Grip
10	09467	Setscrew, 5/16-18 x 3/8 HD
11	09468	Main Ram
12	09471	Primer Rod Assembly (Lg. & Sm.)
13	09111	Spring Clip
14	09581	Primer Tube Assembly, Large
14	09582	Primer Tube Assembly, Small
15	09599	Primer Tube Cotter Pin
16	09465	Return Spring



MISCELLANEOUS

09240 CASE KICKER

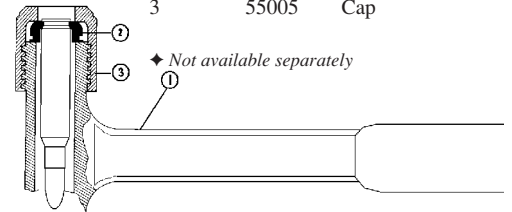
Key	Part #	Description
1	09241	Case Ejector Base
2	09242	Ejector Spring
3	09243	Primer Deflector
4	09244	Case Catcher Base
5	09245	Screw, 10/32 x 1/4
6	09246	Screw, 10 x 3/4 RHWS (2)
7	09603	Hex Nut 10/32
8	86625	Ammunition Catcher Box



NOTE: This product has been discontinued and is no longer available. Some replacement parts are available. Call or write RCBS Customer Service for information.

09415 POW'R PULL BULLET PULLER

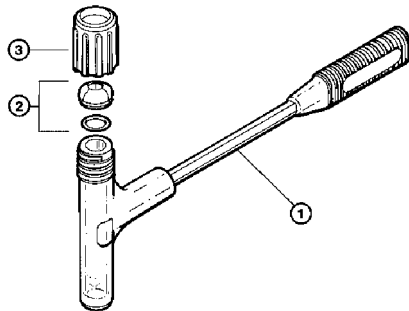
Key	Part #	Description
1	◆	Handle
2	09418	Chuck Assembly
3	55005	Cap



09415 KINETIC BULLET PULLER

Key	Part #	Description
1	◆	Handle
2	09418	Chuck Assembly
3	09417	Cap

◆ Not available separately



NOTE: This product has been discontinued and is no longer available. Some replacement parts are available. Call or write RCBS Customer Service for information.

09340 STUCK CASE REMOVER

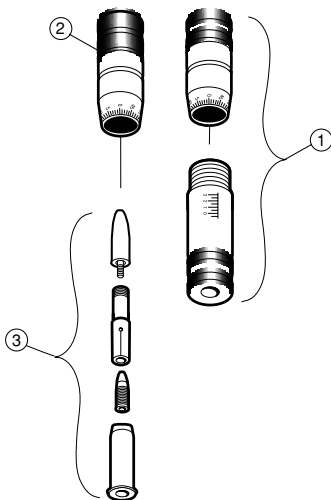
Key	Part #	Description
1	09342	Stuck Case Remover Body
2	09343	Allen Wrench 3/16
3	09344	Drill No. 7
4	09345	Tap 1/4-20
5	09346	Socket Head Cap Screw 1/4"-20 x 1 1/4"

PRECISION MIC PART # LIST

PRECISION MIC

Key	Part #	Description
1	◆	Body & Headspace Nut Assy.*
2	◆	Land Nut
3	◆	Freebore Tool Assembly
	◆	Hex Key Wrench, 3/32

◆ See Chart at Right
◆ Not Shown



CALIBER	(1) BODY & HEADSPACE NUT ASSEMBLY	(2) LAND NUT	(3) FREEBORE TOOL ASSEMBLY
.22-250	88352	88402	88452
.220 Swift	88351	88402	88451
.222 Remington	88353	88402	88453
.223 Remington	88354	88402	88454
.243 Winchester	88355	88403	88455
6mm Remington	88356	88403	88456
.25-06	88357	88404	88457
.257 Roberts	88358	88404	88458
6.5mmx55 Swedish Mauser	88364	88405	88464
.270 Winchester	88366	88406	88466
.280 Remington	88367	88407	88467
7mm Remington Magnum	88369	88407	88469
7mm Thompson/Center Ugalde	88370	88407	88470
7mm-08 Remington	88372	88407	88472
7mmx57 Mauser	88373	88407	88473
.30-06	88374	88408	88474
.300 Winchester Magnum	88377	88408	88477
.308 Winchester	88379	88408	88479
.338 Winchester Magnum	88381	88410	88481
.375 H&H Magnum	88387	88415	88487

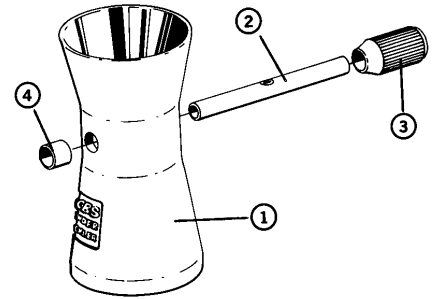
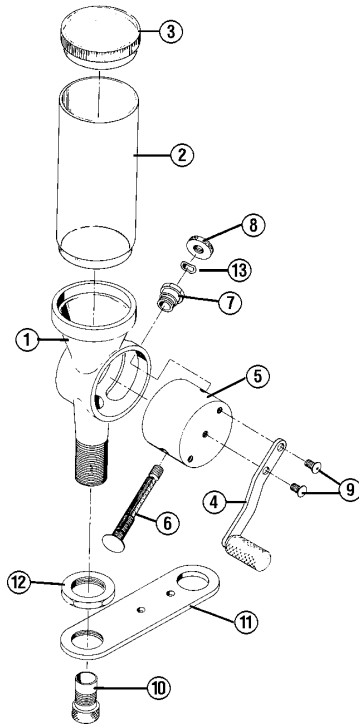
POWDER ACCESSORIES



09010 UNIFLOW POWDER MEASURE

Key	Part #	Description
1	09025	Main Body Casting
2	09026	Powder Hopper
3	09012	Powder Hopper Cap
4	09027	Handle Assembly
5	09005	Measuring Cylinder, Large
5	09006	Measuring Cylinder, Small
6	09008	Measuring Screw, Small
6	09009	Measuring Screw, Crowned
7	09013	Measuring Cylinder Bushing
8	09014	Measuring Screw Lock Ring
9	09019	Binder Head Screw, 10/32 x 1/4
10	09022	Drop Tube, Large
10	09023	Drop Tube, Small
10	09028	Drop Tube, 17 Caliber
11	09020	Stand Plate
12	87505	Hex Lock Nut, 7/8-14
13	09260	Bow Washer
❖	09004	Measuring Cylinder Assy., Small
❖	09011	Measuring Cylinder Assy., Crowned

❖ Not shown



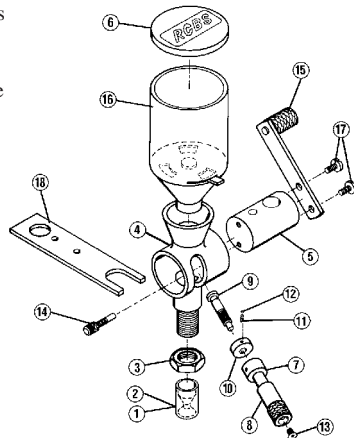
09094 POWDER TRICKLER

Key	Part #	Description
1	09095	Main Casting
2	09096	Cross Tube
3	09097	Knob
4	09098	Sleeve

09032 DU-O MEASURE

Key	Part #	Description
1	▼	Drop Tube, Large
2	▼	Drop Tube, Small
3	▼	Hex Lock Nut, 7/8-14
4	▼	Main Body Casting
5	▼	Measuring Cylinder
6	▼	Powder Hopper Cover
7	▼	Measuring Device Frame
8	▼	Measuring Device Dial
9	▼	Measuring Device Shaft
10	▼	Measuring Device Large Piston
11	▼	Measuring Device Spring
12	▼	Measuring Device Ball
13	▼	Measuring Device Dial Screw
14	▼	Thumbscrew
15	▼	Handle Assembly
16	▼	Powder Hopper Assembly
17	▼	Handle Screws (2)
18	▼	Mounting Plate

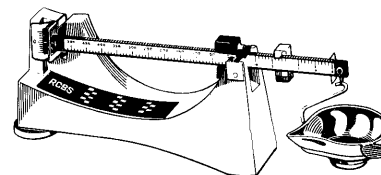
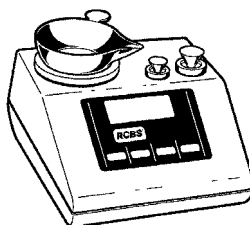
NOTE: This product has been discontinued and the replacement parts are no longer available. Call or write RCBS Customer Service for information.



▼ No longer Available.

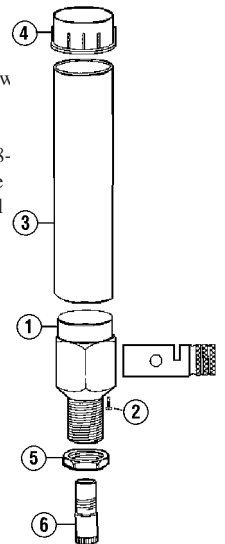
RELOADING SCALES

Key	Part #	Description
-	09076	Scale Pan, 304
-	09078	Scale Pan, 502, 505, 510, 1010
-	09079	Support, 502, 505, 510, 1010
-	09080	Leveling Foot, 502, 505, 510
-	09082	Leveling Foot, 1010
-	09081	End Loop, 502, 505, 510, 1010
-	09083	Micromtr. Poise Lock. Screw, 510, 1010
-	09084	Attachment Weight, 1010
-	09085	Scale Cover, 10-10



86040 LITTLE DANDY

Key	Part #	Description
1	86041	Pistol Powder Measure Body
2	86042	Rotor Guide Screw
3	86043	Powder Hopper
4	86044	Hopper Cap
5	87505	Hex Lock Nut 7/8-
6	09022	Drop Tube, Large
6	09023	Drop Tube, Small



IMPORTANT Mechanical Scales:

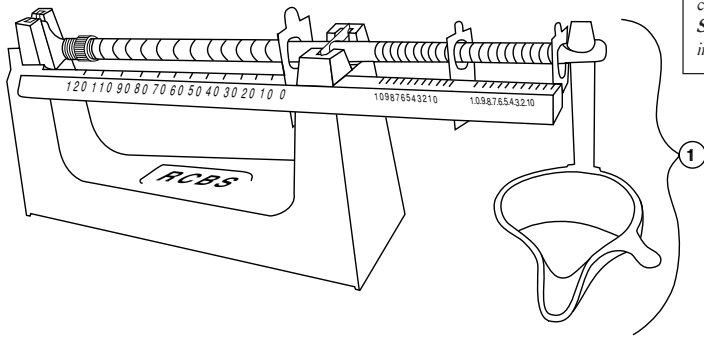
The replacement parts listed are available from RCBS. Other replacement parts that do not affect the actual weighing capability of the scale are also available. Check with RCBS Customer Service for availability. If the scale has a broken beam, fails to "zero", fails to weigh accurately or fails to repeat, the entire scale must be returned to Ohaus Product Service Dept. for repair or replacement. DO NOT return the scale to RCBS. Call RCBS Customer Service for a Return Authorization number and shipping instructions.

POWDER ACCESSORIES

90400 RC 130 MECHANICAL SCALE

Key	Part #	Description
1	189005	Pan & Hanger Assembly

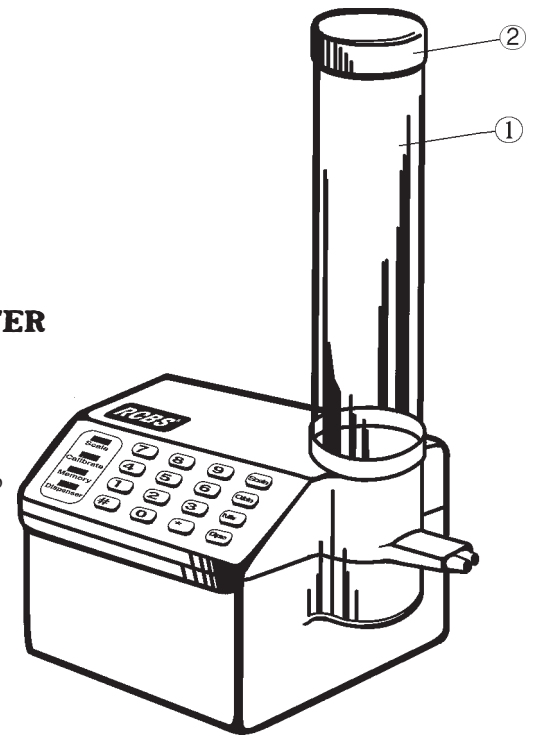
NOTE: Only the part listed is available. If other parts require replacement, contact RCBS Customer Service for further information.



98999 POWDERMASTER ELECTRONIC POWDER DISPENSER

Key	Part #	Description
1	55005	Powder Hopper
2	186045	Powder Hopper Cap

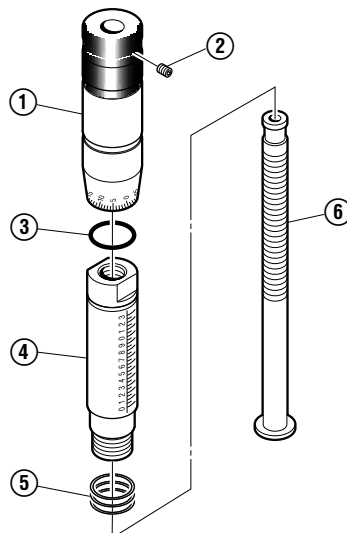
Note: Unit must be returned to manufacturer for all other parts. Call RCBS Customer Service for return information.



98901 UPM MICROMETER ADJUSTMENT SCREW

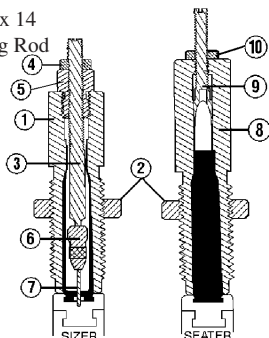
Key	Part #	Description
1	98905	Thimble
2	81004	Setscrew (10-32x3/16 Cup Point)
3	81015	O-Ring Seal
4	98903	Body
5	98906	Compensation Washes (3)
6	98904	Metering Screw, Large
6	98907	Metering Screw, Small
❖	09635	Hex Key Wrench, 3/32

❖ Not Shown



TWO DIE SET FOR BOTTLE NECK, RIFLE & PISTOL CASES

Key	Part #	Description
1	-	Sizer Die Body
2	87501	Die Lock Ring, 7/8 x 14
3	-	Expander Decapping Rod
4	-	Lock Ring
5	-	Guide Bushing
6	-	Expander Ball
7	-	Decapping Pin
8	-	Seater Die Body
9	-	Seater Plug
10	09604	Lock Ring, 1/4 - 28



IMPORTANT

Expander-Decapping Rods, Decapping Rods, Expander Balls and Decapping Pin Holders are no longer available separately. If any of these fail, order a replacement Expander-Decapping Unit or Decapping Unit as shown in the tables on pages 21 through 23. With the exceptions listed below, all new RCBS "Precision" Sizer Dies use a #90164 Headed Decapping Pin.

Caliber	Decapping Pin #
.22 PPC	09608
6mm PPC	09608
7mm Thompson/Center Ugalde	09609
.35 Whelen	09609
.358 Winchester/.356 Winchester	09609
.416 Remington Magnum	09609

Note: Regular Decapping Pins for older RCBS Sizer Dies will remain available. Use the chart below to order replacements.

.22 - .25 Caliber	09608
6.5mm - .45 Caliber	09609

Important: Expander-Decapping Units, Decapping Units and all Decapping Pins are available through RCBS Distributors and Dealers. All other replacement parts should be ordered from RCBS Customer Service (1-800-533-5000).

Caliber	Shell Holder & Shell Plate #	Primer Plug & Sleeve Size	Case Trimmer Collet #	Pilot #	Ammo Box Size	Lube Dic #	Expander Decap Unit	Decap Pin	Guide Bushing	Seater Plug
.17 Remington	10	Small	1	17	SR	-	09882	-	09625	09650
.218 Bee	1	Small	2	22	MP	-	09802	90164	09625	09651
.22 Hornet	12	Small	2	22	MP	-	09802	90164	09625	09651
.22K-Hornet	12	Small	2	22	MP	-	09802	90164	09625	09651
.22 PPC	32	Small	3	22	MR	1	09836	09608	09625	09651
.22 Remington Jet	6	Small	3	22	MP	-	09800	90164	09625	09651
.22 Savage High-Power	2	Large	2	22	MR	-	09803	90164	09625	09651
.22-250 (22 Varminter)	3	Large	1	22	MR	2	09802	90164	09625	09651
.220 Swift	11	Large	1	22	MR	-	09802	90164	09625	09651
.221 Remington Fire Ball	10	Small	1	22	SR	-	09802	90164	09625	09651
.222 Remington	10	Small	1	22	SR	1	09802	90164	09625	09651
.222 Remington Magnum	10	Small	1	22	SR	1	09802	90164	09625	09651
.223 Remington (5.56mm)	10	Small	1	22	SR	1	09802	90164	09625	09651
.225 Winchester	11	Large	1	22	MR	3	09802	90164	09625	09651
5.6mm x 50 Rimmed	6	Small	2	22	SR	-	09802	90164	09625	09651
.240 Weatherby Magnum	3	Large	1	24	LR	2	09805	90164	09625	09652
.243 Winchester	3	Large	1	24	MR	2	09805	90164	09625	09652
6mm PPC	32	Small	3	24	MR	1	09837	09608	09625	09652
6mm Remington (244 Remington)	3	Large	1	24	MR	2	09805	90164	09625	09652
.25-06	3	Large	1	25	LR	2	09806	90164	09625	09653
.25-20 Winchester	1	Small	2	25	MP	-	09806	90164	09625	09653
.25-35 Winchester	2	Large	2	25	MR	-	09806	90164	09625	09653
.250 Savage (250-3000 Savage)	3	Large	1	25	MR	2	09806	90164	09625	09653
.256 Winchester Magnum	6	Small	3	25	MP	-	09806	90164	09625	09653
.257 Roberts	3/11	Large	1	25	MR	2	09806	90164	09625	09653
.257 Roberts Improved 40°	3/11	Large	1	25	MR	-	09806	90164	09625	09653
.257 Weatherby Magnum	4	Large	1	25	LR	4	09806	90164	09626	09653
.260 Remington	3	Large	1	26	MR	2	09807	90164	09626	09654
.264 Winchester Magnum	4/26	Large	1	26	LR	4	09807	90164	09626	09654
6.5mm-06	3	Large	1	26	LR	-	09807	90164	09626	09654
6.5mm x 52 Carcano	9	Large	3	26	LR	-	09807	90164	09626	09654
6.5mm x 54 Mannlicher-Schoenaur	9	Large	1	26	LR	-	09807	90164	09626	09654
6.5mm x Swedish Mauser	2	Large	1	26	LR	-	09807	90164	09626	09654
6.5mm x 57	3	Large	1	26	LR	-	09807	90164	09626	09654
6.5mm x 68S	34(5)	Large(2)	2	26	LR	4	09807	09707	09626	09654
.270 Weatherby Magnum	4	Large	1	27	LR	4	09808	90164	09626	09655
.270 Winchester	3	Large	1	27	LR	2	09808	90164	09626	09655
.280 Remington (7mm Exp. Rem.)	3	Large	1	28	LR	2	09809	90164	09626	09656
.284 Winchester	3	Large	1	28	MR	-	09809	90164	09626	09656
7mm Bench Rest Remington	3	Small	1	28	MR	-	09809	90164	09626	09656
7mm Remington Magnum	4/26	Large	1	28	LR	4	09809	90164	09626	09656
7mm Shooting Times Westerner	4	Large	1	28	LR	4	09809	90164	09626	09656
7mm Thompson/Center Ugalde	10	Small	1	28	SR	-	09811	09609	09626	09656
7mm Weatherby Magnum	4	Large	1	28	LR	4	09809	90164	09626	09656
7mm-08 Remington	3	Large	1	28	MR	2	09809	90164	09626	09656

TWO DIE SET

Caliber	Shell Holder & Shell Plate #	Primer Plug & Sleeve Size	Case Trimmer		Ammo Box Size	Lube Die #	Expander Decap Unit	Decap Pin	Guide Bushing	Seater Plug
			Collet #	Pilot #						
7mm x 57 Mauser (7mm Mauser)	3/11	Large	1	28	LR	2	09809	90164	09626	09656
7mm x 64 Brenneke	3	Large	1	28	LR	-	09809	90164	09626	09656
7mm x 65 Rimmed	26	Large	1	28	LR	-	09809	90164	09626	09656
7-30 Waters	2	Large	2	28	MR	3	09809	90164	09626	09656
.30 Luger (7.65mm Luger)	16	Small	2	30	(4)	-	09813	90164	09626	09658
.30 Mauser (7.63mm Mauser)	16	Small	2	30	(4)	-	09813	90164	09626	09658
.30 Remington	19	Large	2	30	MR	3	09812	90164	09626	09657
.30-06 Springfield	3	Large	1	30	LR	2	09812	90164	09626	09657
.30-30 Winchester	2	Large	2	30	MR	3	09812	90164	09626	09657
.30-338 Winchester Magnum	4	Large	1	30	LR	4	09812	90164	09626	09657
.30-378 Weatherby Magnum	14	Large	4	30	(4)	-	09812	90164	09626	09657
.30-40 Krag	7	Large	3	30	LR	-	09812	90164	09626	09657
.300 H&H Magnum	4	Large	1	30	LR	4	09812	90164	09626	09657
.300 Remington Ultra Magnum	38	Large	1	30	LR	-	09812	90164	09626	09657
.300 Savage	3	Large	1	30	MR	2	09812	90164	09626	09657
.300 Weatherby Magnum	4	Large	1	30	LR	4	09812	90164	09626	09657
.300 Winchester Magnum	4/26	Large	1	30	LR	4	09812	90164	09626	09657
.303 British	7	Large	1	31	LR	-	09814	90164	09626	09657
.307 Winchester	2	Large	2	30	MR	-	09812	90164	09626	09657
.308 Norma Magnum	4	Large	1	30	LR	4	09812	90164	09626	09657
.308 Winchester	3	Large	1	30	MR	2	09812	90164	09626	09657
7.5mm x 54 French MAS	2	Large	1	30	LR	2	09832	90164	09626	09657
7.5mm x 55 Schmidt-Rubin	2	Large	2	30	LR	-	09812	90164	09626	09657
7.62mm x 39-.308/.311	32	Large	3	30/31	MR	-	09814	90164	09626	09657
7.62mm x 54R Russian	13(5)	Large	4	30	LR	-	09812	90164	09626	09657
7.65mm x 53 Belgian Mauser	3	Large	1	31	LR	-	09814	90164	09626	09657
7.7mm x 58 Japanese Arisaka	3/2	Large	1	31	LR	-	09814	90164	09626	09657
.32 Winchester Special	2	Large	2	32	MR	3	09816	90164	09626	09659
.32-40 Winchester	2	Large	2	32	MR	-	09816	90164	09626	09659
8mm Remington Magnum	4	Large	1	32	LR	4	09817	90164	09626	09659
8mm-06	3	Large	1	32	LR	2	09817	90164	09626	09659
8mm x 57 Mauser (8mm Mauser)	3	Large	1	32	LR	-	09817	90164	09626	09659
8mm x 68S Magnum	34(5)	(2)	2	32	LR	-	09817	90164	09626	09659
.338 Lapua (.416 Rigby Case)	37(5)	Large	4	33	(4)	-	09818	90164	09626	09660
.338 Winchester Magnum	4	Large	1	33	LR	4	09818	90164	09626	09660
.338-06	3	Large	1	33	LR	-	09828	90164	09626	09660
.338-378 Weatherby Magnum	14	Large	4	33	(4)	-	09818	90164	09626	09660
.340 Weatherby Magnum	4	Large	1	33	LR	4	09818	90164	09626	09660
.348 Winchester	5(5)	Large	4	34	MR	-	09819	90164	09626	09661
.35 Remington	9	Large	1	35	MR	-	09820	90164	09626	09662
.35 Whelen	3	Large	1	35	LR	-	09823	09609	09626	09662
.350 Remington Magnum	4	Large	1	35	MR	4	09820	90164	09626	09662
.356 Winchester	2	Large	2	35	MR	-	09823	09609	09626	09662
.357 Sig	27	Small	3	35	LP	2	09834	90164	09626	***
.358 Norma Magnum	4	Large	1	35	LR	4	09820	90164	09626	09662
.358 Winchester	3	Large	1	35	MR	-	09823	09609	09626	09662
9.3mm x 62 Mauser	3	(2)	1	36	LR	-	09821	90164	09626	09668
9.3mm x 74R	4	Large	1	36	LR	-	09821	90164	09626	09668
.375 H&H Magnum	4	Large	1	37	LR	4	09822	90164	09626	09669
.378 Weatherby Magnum	14(5)	Large	4	37	(4)	-	09822	90164	09626	09669
.400 CorBon	3	Large	1	40	LP	-	09835	90164	09626	****
.416 Remington Magnum	4	Large	1	416	LR	-	09827	09609	09626	09671
.416 Rigby	37(5)	Large	4	416	(4)	-	09825	90164	09626	09671
.460 Weatherby Magnum	14(5)	Large	4	45	(4)	-	09826	90164	09626	09681
.338-06	3	Large	1	33	LR	-	09828	90164	09626	09660
.338-378 Weatherby Magnum	14	Large	4	33	(4)	-	09818	90164	09626	09660

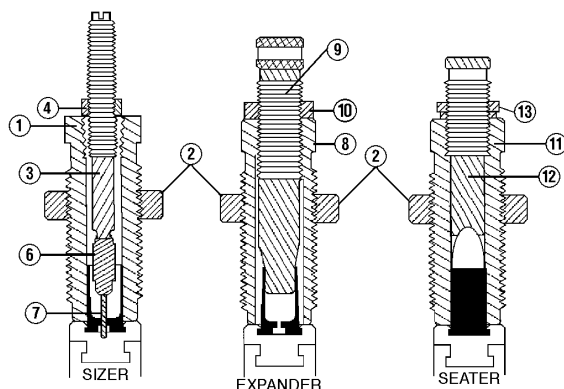
RCBS Shell Holder numbers do not correspond to those of other manufacturers. When two Shell Holder numbers are listed, the most popular is shown first. It may be necessary to use the alternate, depending on the manufacturer and/or lot of cases being used. The numerals in () in the table indicate the following: (2) cases are usually Berdan primed. Depriming and priming must be done by hand. If cases were formed from cases having boxer-type primers, use the appropriate Shell Holder for that caliber. (3) Special Rotary Case Trimmer Collet and/or Pilot required. Write for information. (4) Not available. (5) Auto 4x4 Shell Plate not available. (6) Auto 4 x 4 Shell Plate not available. The letter codes in the Ammo Box Size column indicate the following: SR = Small Rifle, MR = Medium Rifle, LR = Large Rifle, MP = Medium Pistol, LP = Large Pistol.

*** 90020 & 90021
 **** 90040 & 90067

THREE DIE SET FOR STRAIGHT WALL, RIFLE & PISTOL CASES



Key	Part #	Description
1	-	Sizer Die Body
2	87501	Die Lock Ring, 7/8 x 14
3	-	Decapping Rod
4	-	Lock Ring
6	-	Decapping Pin Holder
7	-	Decapping Pin
8	-	Expander Die Body
9	-	Expander
10	-	Lock Ring
11	-	Seater Die Body
12	-	Seater Plug
13	90000	Lock Ring, 1/2-20



Caliber	Shell Holder & Shell Plate #	Primer Plug & Sleeve Size	Case Trimmer		Ammo Box Size	Decap Unit	Decap Pin	Expander Assembly	Guide Bushing	Seater Plug
			Collet #	Pilot #						
.25 Automatic (.25 ACP) (RN)	29(6)	Sm.	(4)	(4)	(4)	09621	90164	09940	09625	90005
.30 M1 Carbine (RN)	17	Sm.	3	30	MP	09622	90164	09990	09626	09658
.32 Automatic (RN)*	17	Sm.	1	31	(4)	09622	90164	09956	09626	90012
.32 H&R Mag (RN-SWC)**	23	Sm.	1	31	(4)	09622	90164	09947	09626	1
.32 S & W Long (RN - SWC)**	23	Sm.	1	31	(4)	09622	90164	09947	09626	1
.32-20 Winchester (RN)	1	Sm.	2	31	MP	09622	90164	09991	09626	90012
8mm Lebel French Revolver	1	Sm.	2	32	MP	09622	90164	09959	09626	09687
.357 Magnum (RN - SWC)	6	Sm.	3	35	MP	09622	90164	09992	09626	2
.357 Remington Maximum (SIL-RIF-WC)	6	Sm.	3	35	SR	09622	90164	09948	09626	3
9mm Luger (RN-TMJ)	16	Sm.	2	35	(4)	09622	90164	09943	09626	4
9mm Makarov (RN-SWC)	16	Sm.	2	35	(4)	09622	90164	09988	09626	5
9mm x 21 (RN-TMJ)	16	Sm.	2	35	(4)	09622	90164	09943	09636	4
9mm x 23 Winchester (RN TMJ)	16	Sm.	2	35	MP	09622	90164	09943	09626	4
.375 Winchester	2	Lg.	2	37	MR	09619	90164	09946	09626	09669
.38 Colt Super Automatic (RN)	39	Sm.	2	35	MP	09622	90164	09943	09626	90021
.38 Smith & Wesson (RN)	6	Sm.	3	35	(4)	09622	90164	09992	09626	09664
.38 Special (RN-WC)	6	Sm.	3	35	MP	09622	90164	09992	09626	2
.38-40 Winchester (RN)	35(5)	Lg.	1	40	LP	09622	90164	09993	09626	09667
.38-55 Winchester & Ballard	2	Lg.	2	37	MR	09619	90164	09946	09626	90026
.380 Automatic Pistol (RN)	10	Sm.	1	34	(4)	09622	90164	09943	09626	90021
.40 S & W (SWC)	27	Sm.	3	40	LP	09622	90164	09999	09626	90040
.40-65 Shiloh-Sharps 408" Bore	14	Lg.	4	41	(4)	09619	90164	09950	09626	90042
.405 Winchester	24	Lg.	3	40	(4)	09619	90164	09974	09626	90028
10mm Auto (SWC)	27	Lg.	3	40	LP	09622	90164	09999	09626	90040
.41 Magnum (RN-SWC)	30	Lg.	2	41	LP	09622	90164	09994	09626	6
.44 Magnum (RN-SWC)	18	Lg.	2	44	LP	09622	90164	09995	09626	7
.44 Special (RN-SWC)	18	Lg.	2	44	LP	09622	90164	09995	09626	7
.44-40 Winchester (.44 Win.) (RN)	35(5)	Lg.	1	44	LP	09622	90164	09995	09626	90032
.444 Marlin	28	Lg.	1	44	LR	09619	90164	09952	09626	09679
.45 Automatic (.45 ACP) (RN-SWC)	3	Lg.	1	45	LP	09622	90164	09997	09626	8
.45 Colt (RN-SWC)	20	Lg.	1	45	LP	09622	90164	09998	09626	8
.45 Winchester Magnum (RN)	36(5)	Lg.	1	45	LP	09622	90164	09954	---	09681
.45-70 U.S. Government	14(5)	Lg.	4	45-R	(4)	09619	90164	09953	09626	09681
.454 Casull (SWC)	20	Sm.	1	45	(4)	09622	90164	09949	09626	90041
.458 Winchester Magnum	4	Lg.	1	45-R	LR	09619	90164	09953	09626	09681
.475 Linebaugh (1,400")	40	Lg.	1	.475	(4)	09622	90164	09975	09626	09670
.50 Action Express (SWC)	33(5)	Lg.	1	50***	(4)	09622	90164	09989	---	09756
.50-70 U.S. Government	31(6)	Lg.	(3)	(3)	(4)	09619	90164	09955	09626	09684

* For use with .311 bullets.

** For use with .314 bullets.

*** Special Order.

Seater Plugs for Multiple Plug Die Sets:

1) 32 RN 90012	2) 38 RN 90021	3) 357 SIL 90019	4) 38 RN 90021	5) 9mm Mak RN 90017	6) 41 RN 90028	7) 44 RN 90032	8) 45 RN 90032
32 SWC 90013	38 WC 90023	35 Rifle 90018	9mm TMJ 90020	9mm Mak SWC 90024	41 SWC 90029	44 SWC 90033	45 SWC 90033

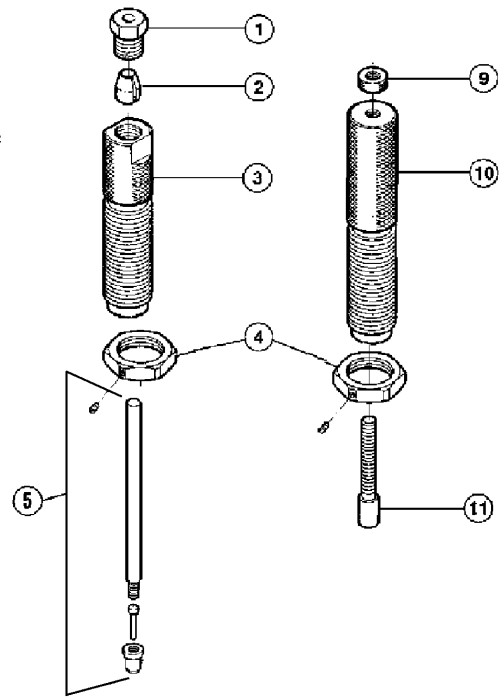
RELOADER SPECIAL DIE

Key	Part #	Description	Key	Part #	Description
1	90168	Collet Closer	-	★	Expander-Decapping Rod
2	90166	Collet	-	◆	Decapping Pin, Pack of 5
3	◆	Sizer Die Body	-	◆	Expander Ball
4	87501	Die Lock Ring, 7/8 x 14	9	09604	Seater Plug Lock Ring, 1/2
5	★	Expander-Decapping Unit	10	◆	Seater Die Body
			11	★	Seater Plug

◆ Not available separately

★ See Chart below for part numbers

Caliber	RS Exp. Decap. Unit	Seater Plug
22-250 (22 Varminter)	90132	09651
222 Remington	90132	09651
223 Remington	90132	09651
243 Winchester	90134	09652
6.5 x 55 Swedish Mauser	90136	09654
270 Winchester	90138	09655
7mm Remington Magnum	90139	09656
7.62mm x 39/.311	90143	09657
30-30 Winchester	90141	09657
30-06 Springfield	90141	09657
300 Winchester Magnum	90141	09657
303 British	90143	09657
308 Winchester	90141	09657
8mm x 57 Mauser	90145	09659



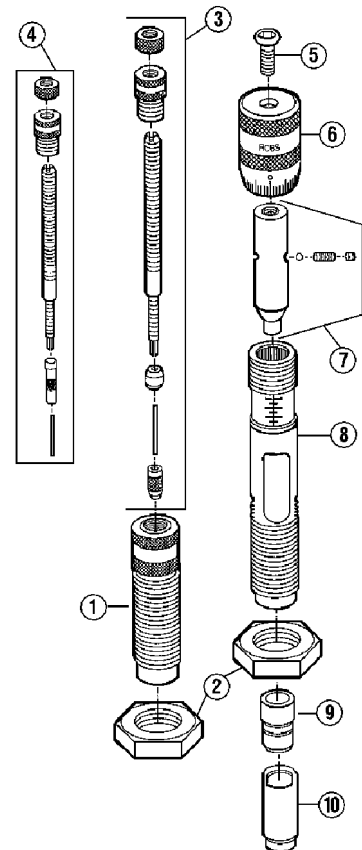
COMPETITION DIE

Key	Part #	Description
1	◆	Comp. Sizer Die Body
2	87501	Hex Lock Ring 7/8" - 14
3	★	Comp. Expander-Decapping Assembly
4	★	Comp. Expander-Decapping Assembly
5	★	Seater Plug Screw
6	★	Thimble
7	★	Seater Plug Assembly
8	★	Seater Die Body
9	★	Bullet Guide
10	★	Extended Shell Holder

◆ Not available separately

★ See Chart below for part numbers

Caliber	Comp. Ext. Shell Holder	Comp. Exp. Decap. Assembly	Comp. Guide Bushing	Decap Pin	Comp. Seater Plug Assembly	Comp. Bullet Guide
.22 Hornet	38262	09802	38287	09608	38151	38202
.222 Remington	38260	38102	38287	09608	38151	38202
.223 Remington	38260	38102	38287	09608	38151	38202
.22-250 (.22 Varminter)	38253	38102	38287	09608	38151	38205
.243 Winchester	38253	38105	38288	09608	38152	38207
6.5mm x 55 Swedish Mauser	38252	38107	38288	09609	38154	38208
.270 Winchester	38253	38109	38288	09609	38155	38209
7mm-08 Remington	38253	38109	38288	09609	38156	38209
7mm Remington Magnum	-	38109	38288	09609	38156	38209
7mm x 64 Brenneke	-	38109	38288	09609	38156	38212
7.5mm Schmidt-Rubin	-	38112	38288	09609	38157	38212
.30-06 Springfield	-	38112	38288	09609	38157	38212
.308 Winchester	38253	38112	38288	09609	38157	38214
8mm x 57 Mauser (8mm Mauser)	-	38117	38288	09609	38159	38214



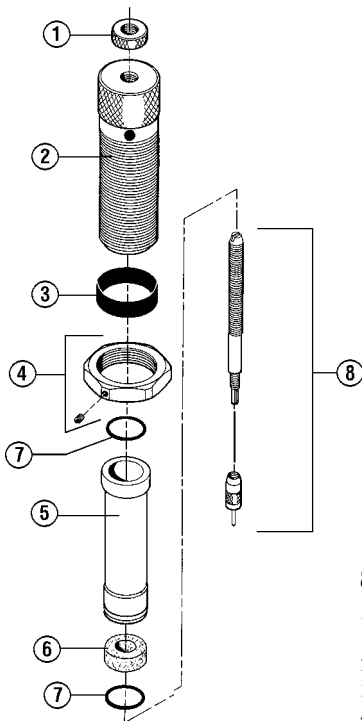
SPECIALIZED DIES



LUBE DIE

Key	Part #	Description
1	87570	Hex Lock Nut 12-28
2	◆	Lube Die Body
3	87571	Seal Ring
4	87501	Die Lock Ring 7/8-14
5	87562	Lube Retainer (#1, 2 & 3)
5	87564	Lube Retainer #4
6	87556	Felt Lubricating Bushing #1
6	87557	Felt Lubricating Bushing #2
6	87558	Felt Lubricating Bushing #3
6	87559	Felt Lubricating Bushing #4
7	81015	"O" Ring Seal
8	87568	Lube Die Decapping Unit

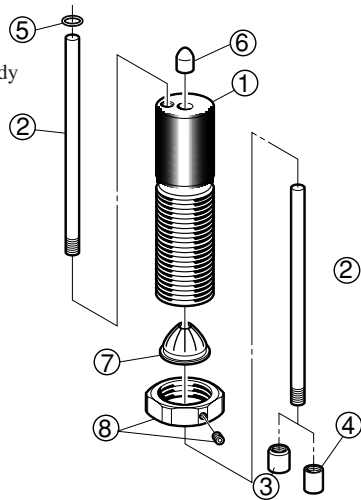
◆ Not available separately



87590 POWDER CHECKER

Key	Part #	Description
1	◆	Powder Checker Die Body
2	87592	Guide Rod (2)
3	787593	Guide Rod Tip, Large
4	787594	Guide Rod Tip, Small
5	87595	Indicating O-ring
6	87596	Guide Rod Cap
7	187597	Case Guide
8	87501	Die Lock Ring, 7/8-14

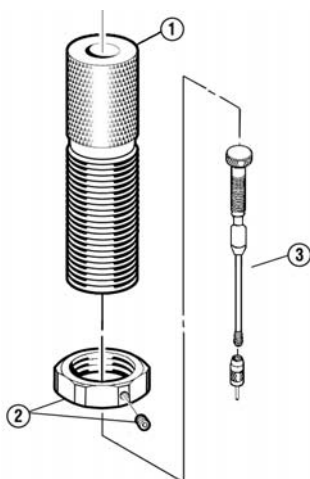
◆ Not available separately



X - SIZER DIE

Key	Part #	Description
1	◆	Die Body
2	87501	Lock Ring
3	38314	Mandrel Assembly 22 Hornet
3	37114	Mandrel Assembly 22-250
3	38814	Mandrel Assembly .220 Swift
3	37014	Mandrel Assembly .222 Rem.
3	37214	Mandrel Assembly .223 Rem.
3	37314	Mandrel Assembly .243 Win.
3	37514	Mandrel Assembly .270 Win.
3	37614	Mandrel Assembly 7mm Rem.
3	37714	Mandrel Assembly .30-06 Spgfld.
3	37914	Mandrel Assembly .30-.30 Win.
3	38914	Mandrel Assembly .300 Win. Mag.
3	37814	Mandrel Assembly .308 Win.

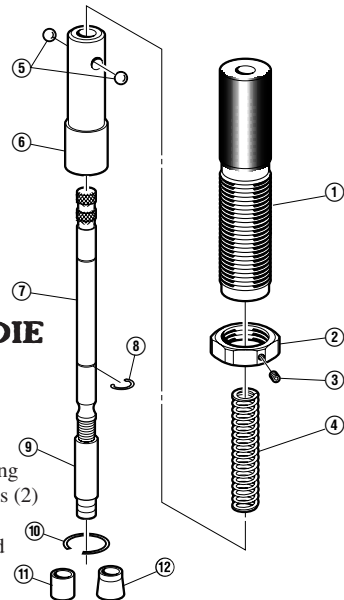
◆ Not available separately



87540 LOCK-OUT DIE

Key	Part #	Description
1	◆	Die Body
2	87501	Die Lock Ring
3	87502	Brass Set Screw
4	1-87547	Compression Spring
5	1-87548	Steel Ball Bearings (2)
6	7-87543	Die Case Lock
7	7-87542	Die Detention Rod
8	1-87549	External Clip
9	7-87544	Plunger
10	1-87546	Spring Clip
11	7-87551	Die Adaptor #1
12	7-87550	Die Adaptor #2

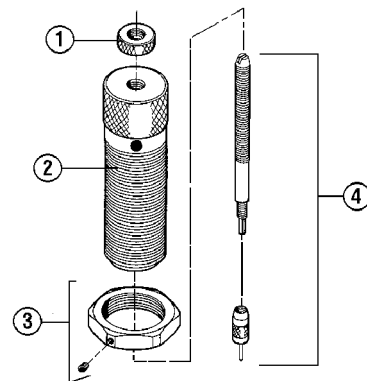
◆ Not available separately



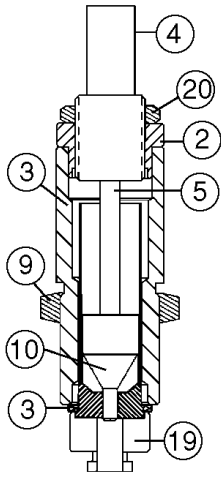
87580 UNIVERSAL DECAP DIE

Key	Part #	Description
1	87570	Hex Lock Ring 12-28
2	◆	Die Body
3	87501	Die Lock Ring Assy. 7/8-14
4	87575	Decapping Unit

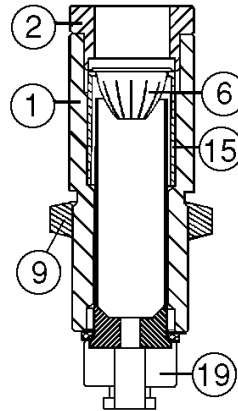
◆ Not available separately



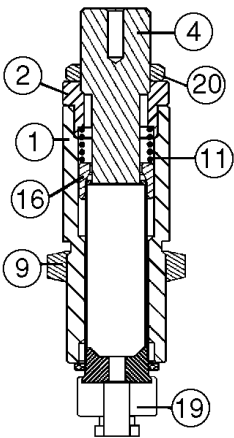
SHOTSHELL DIES



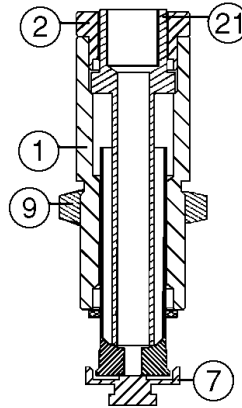
Key	Part #	Description
3	99007	Size Ring
1	99005	Die Body
2	99006	Die Bushing
10	99015	Expander/Decap Ass'y.
5	99009	Decap Rod
4	99008	Crimp Closer
9	99014	Die Lock Ring
20	87505	7/8 Lock Ring
19	09239	Shell Holder
17	99025	Primer Ejector Spring (For Rock Chucker only)



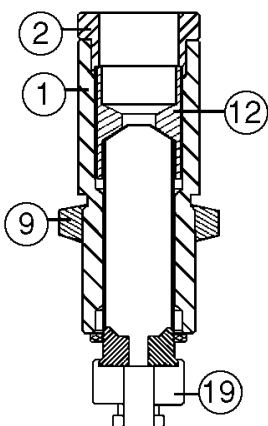
Key	Part #	Description
1	99005	Die Body
2	99006	Die Bushing
9	99014	Die Lock Ring
15	99023	Wad Guide Support #1
6	99010	Wad Guide
19	09239	Shell Holder
21	99016	Drop/Priming Tube Ass'y.
	99013	Shot Dipper
	09087	RCBS Powder Funnel



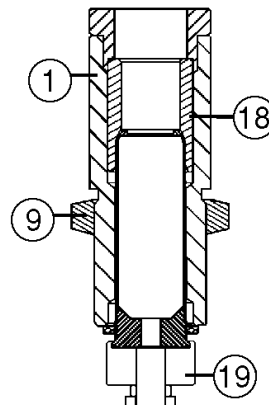
Key	Part #	Description
1	99005	Die Body
2	99006	Die Bushing
9	99014	Die Lock Ring
19	09239	Shell Holder
16	99034	Crimp Closer
20	09021	7/8 Lock Ring
11	99019	Spring



Key	Part #	Description
1	99005	Die Body
2	99006	Die Bushing
9	99014	Die Lock Ring
21	99016	Drop/Priming Tube Ass'y.
7	99011	Priming Cup



Key	Part #	Description
1	99005	Die Body
9	99014	Die Lock Ring
2	99016	Die Bushing
19	09239	Shell Holder
12	99020	Crimp Starter



Key	Part #	Description
1	99005	Die Body
9	99014	Die Lock Ring
19	09239	Shell Holder
18	99026	Final Crimp Bushing #3

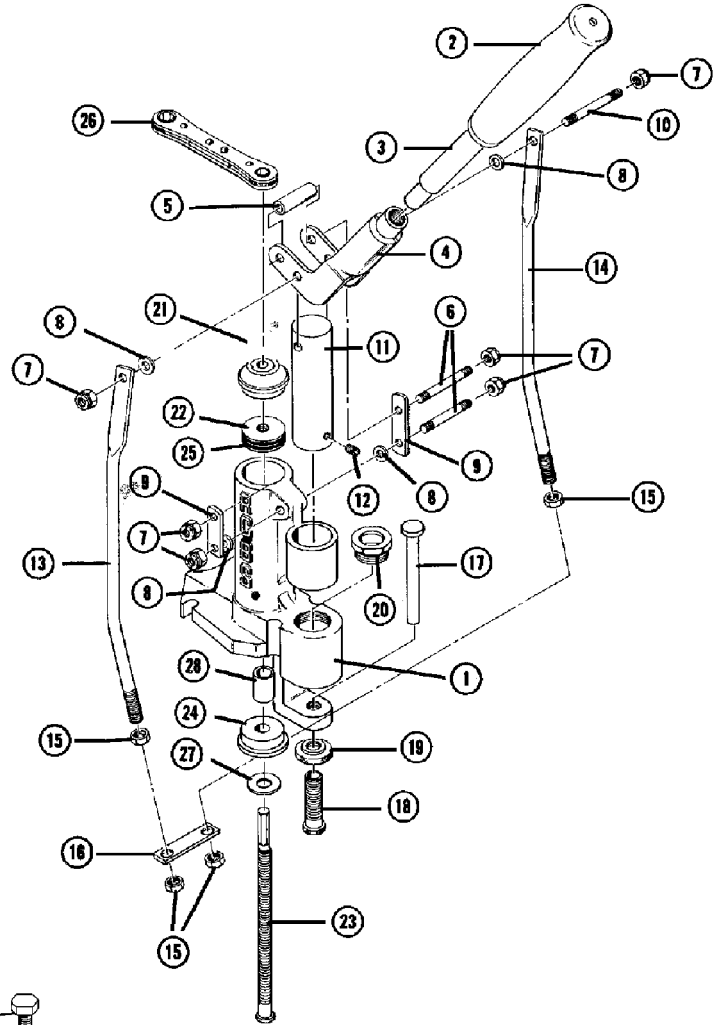
BULLET CASTING



80060 LUBE-A-MATIC

Key	Part #	Description
1	◆	Main Body Casting
2	09264	Handle Grip
3	80064	Metal Handle
4	80067	Handle Yoke Assembly
5	80068	Handle Yoke Spacer
6	80070	Stud Bolt (2)
7	80071	Tri-Lock Nut, 1/4" x20 (6)
8	80072	Flat Washer, 1/4" (4)
9	80073	Handle Link (2)
10	80074	Stud Bolt
11	80077	Ram
12	09099	Setscrew, 10/32" x 1/4" CP
13	80079	Linkage arm, Left
14	80080	Linkage arm, Right
15	80081	Adjusting Nut (4)
16	80082	Bullet Ejection Plate
17	80085	Bullet Ejector Rod Assembly
18	80086	Bullet Ejector Adjustment Screw
19	80087	Bullet Ejector Lock Nut
20	80088	Die Locking Cap
21	80091	Reservoir Cap
22	80092	Lube Plunger
23	80093	Threaded Rod
24	80094	Base Plug
25	80095	"O" Ring Seal (2)
26	80097	Actuator Wrench
27	80098	Fibre Washer, 1/2"
28	80099	Die Locking Cap Wrench

NOTE: This product has been discontinued and is no longer available. Some replacement parts are available. Call or write RCBS Customer Service for information.

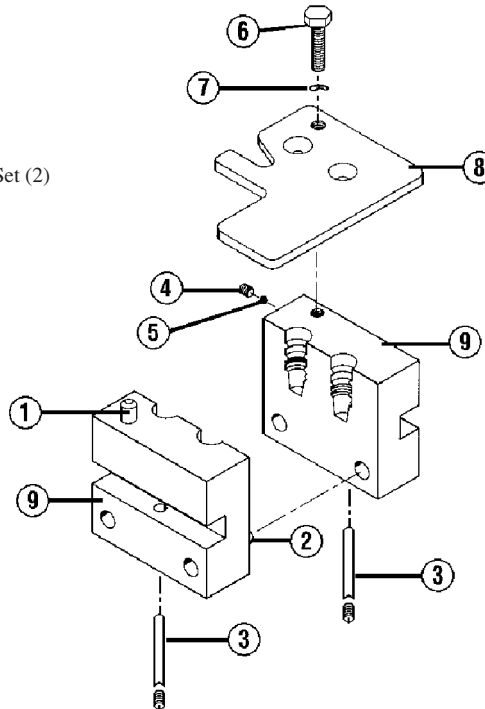


◆ Not Available Separately

BULLET MOULD

Key	Part #	Description
1	81012	Sprue Cutter Stop Pin
2	81002	Locating Pin (2)
3	81010	Mould Attaching Pin/Screw Set (2)
4	81004	Setscrew, 10/32 x 3/16 CP
5	09410	Brass Buffer
6	81006	Sprue Cutter Retaining Bolt
7	81001	Belleville Spring
8	81013	Sprue Cutter, Single Cavity
8	81016	Sprue Cutter, 2 Cavity, Sm.
8	81018	Sprue Cutter, 2 Cavity, Lg.
9	◆	Mould Block (2)

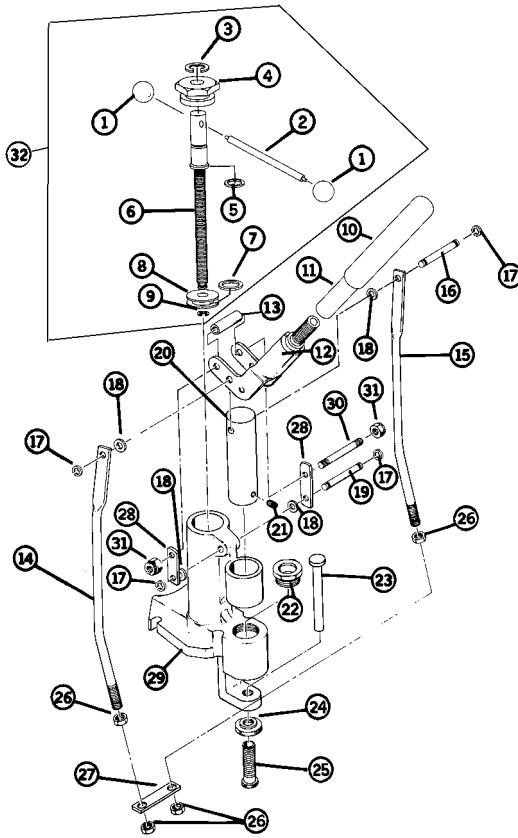
◆ Not Available Separately



BULLET CASTING

80040 LUBE-A-MATIC-2

Key	Part #	Description
1	80054	Handle knob (2)
2	80053	Lube Pressure Handle
3	09105	Retaining Ring
4	80048	Threaded Reservoir Cap
5	80055	Fiber Washer
6	80042	Lube Pressure screw
7	80051	O-Ring
8	80047	Lube Plunger
9	80052	Retaining Ring
10	09264	Handle Grip
11	80064	Metal Handle
12	80067	Handle Yoke Assembly
13	80068	Handle Yoke Spacer
14	80079	Linkage Arm, Left
15	80080	Linkage Arm, Right
16	80057	Ram Link Pin
17	80056	Retaining Ring, IRR 1000-25 (4)
18	80072	Handle Link Washer (4)
19	80058	Handle Link Pin
20	80043	Ram
21	09099	Setscrew 10/32 x 1/4 Flat Point
22	80045	Die Locking Cap
23	80085	Bullet Ejector Rod
24	80049	Bullet Ejector Rod Lock Ring
25	80044	Bullet Ejector Screw
26	80081	Jam Nut 5/16 x 18 (4)
27	80082	Bullet Ejector Plate
28	80073	Handle Link (2)
29	◆	Main Body Casting
30	80070	Handle Link Bolt
31	80071	Tri-Lock Nut 1/4 - 20 (2)
32	80046	Lube Pressure Screw Assembly
❖	80099	Die Locking Cap Wrench

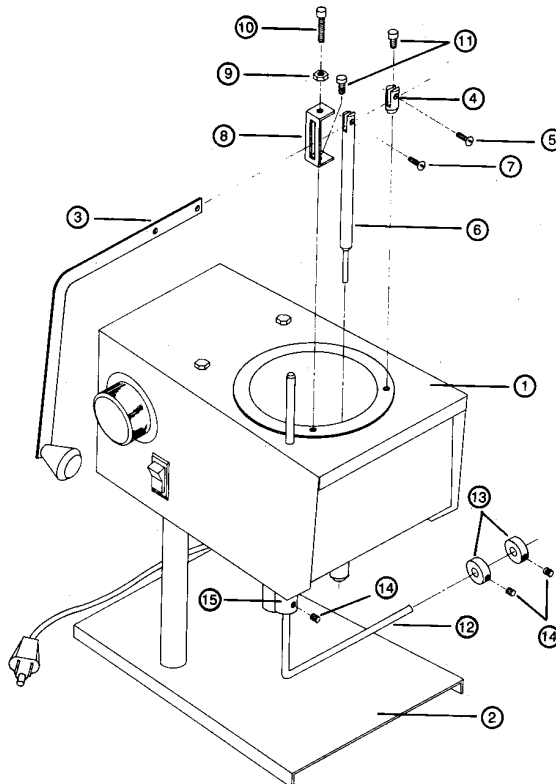


◆ Not Available Separately

❖ Not shown

81100 PRO-MELT

Key	Part #	Description
1	◆	Furnace Body
2	81103	Base
3	81104	Handle
4	81107	Handle Fulcrum
5	81108	Pan Head Screw 5/40 x 1/2
6	81114	Nozzle Shut-off Pin
7	81115	Pan Head Screw 5/40 x 3/8
8	81110	Adjustment Bracket
9	09603	Hex Nut 10/32
10	81111	SHCS 10/32 x 1/4 FP
11	81109	SHCS 10/32 x 3/8
12	81116	Mould Guide Rod
13	81117	Mould Guide Collar (2)
14	09099	Hex Head Setscrew 10/32 x 1/4 FP
15	81118	Mould Guide Housing Bushing



◆ Not Available Separately