

# **RCBS**®

## **R.A.S.S. Utility Tray**



**PRODUCT INSTRUCTIONS**

## **LIMITED WARRANTY**

Your R.A.S.S. Utility Tray is warranted to be free from defects in material or workmanship for two years from the date of purchase. This warranty is extended only to the original consumer purchaser. All RCBS products are intended for non-commercial use by hobbyists. Any other use of these products will void the warranty. Should you believe that the R.A.S.S. Utility Tray is defective in material or workmanship, you must return the R.A.S.S. Utility Tray to Ammunition Accessories Inc. through its Oroville operation (hereinafter "Oroville Operations") postage paid for evaluation. If defective, the product will be repaired or replaced at Oroville Operations' option, at no charge.

Send a dated proof of purchase to Oroville Operations for return shipping and handling, along with the Utility Tray to:

Ammunition Accessories Inc., Oroville Operations  
605 Oro Dam Blvd. East  
Oroville, California 95965

Warranty services cannot be provided without meeting the above requirements.

TO ENSURE ACCURACY OF YOUR WARRANTY INFORMATION, SEND YOUR WARRANTY CARD TO:

Ammunition Accessories Inc., Oroville Operations  
605 Oro Dam Blvd. East  
Oroville, California 95965

THIS TWO YEAR LIMITED WARRANTY DOES NOT COVER DEFECTS OR DAMAGE RESULTING FROM: CARELESSNESS, MISUSE, COMMERCIAL USE, ABUSE, IMPROPER INSTALLATION, MODIFICATION, OR NORMAL WEAR AND TEAR. THE IMPLIED WARRANTIES OF MERCHANTABILITY AND FITNESS FOR A PARTICULAR PURPOSE ARE LIMITED TO THE DURATION OF THIS TWO YEAR LIMITED WARRANTY. OROVILLE OPERATIONS IS NOT LIABLE FOR DAMAGES IN EXCESS OF THE PURCHASE PRICE OF THE PRODUCT AND UNDER NO CIRCUMSTANCES SHALL OROVILLE OPERATIONS BE LIABLE FOR CONSEQUENTIAL OR INCIDENTAL DAMAGES. HOWEVER, SOME STATES DO NOT ALLOW LIMITATIONS ON INCIDENTAL, OR CONSEQUENTIAL DAMAGES, SO THE ABOVE LIMITATION OR EXCLUSION MAY NOT APPLY TO YOU.

The above warranty provides the sole and exclusive warranty available to the customer in the event of a defect in material or workmanship in the R.A.S.S. Utility Tray. This warranty gives you specific legal rights, and you may also have other rights which vary from State to State.

# SAVE THESE INSTRUCTIONS

## INTRODUCTION

The RCBS R.A.S.S. Utility Tray has been designed specifically to provide ample area to keep your shooting related accessories and extra ammunition close at hand. The Utility Tray also provides a convenient built in Drink Holder.

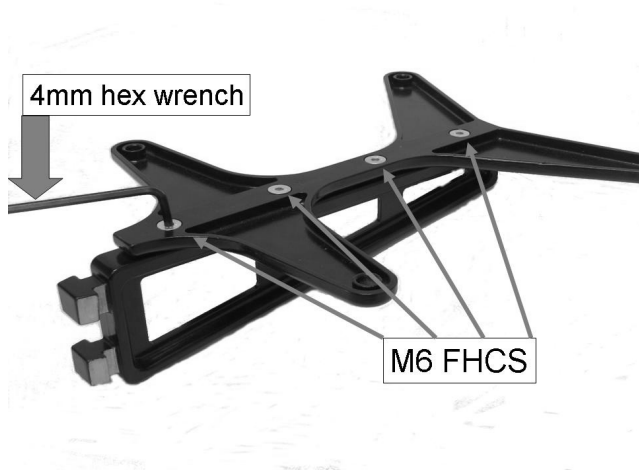
If additional storage is required, three locations are provided for the mounting of AkroBin® style boxes (AkroBins not included).

## UNPACKING

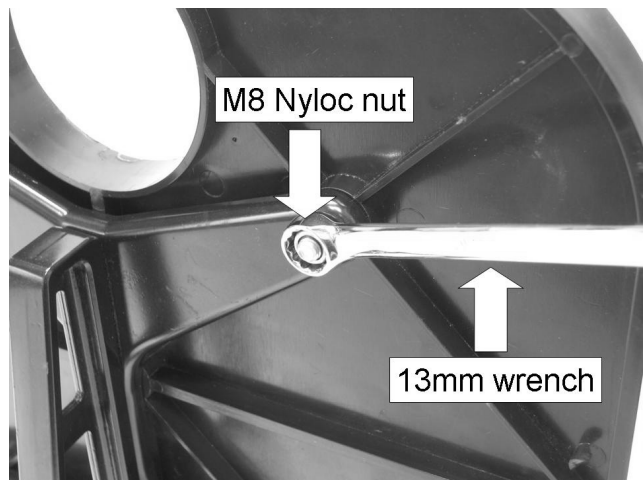
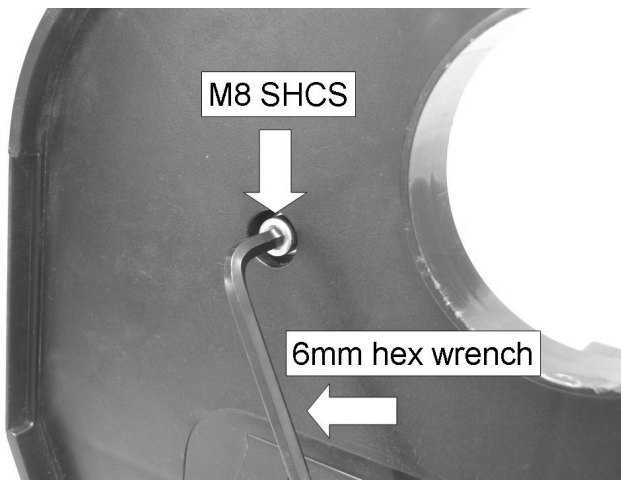
Remove the contents from the packaging and lay them out in an orderly fashion to ease the assembly process.

## ASSEMBLY INSTRUCTIONS

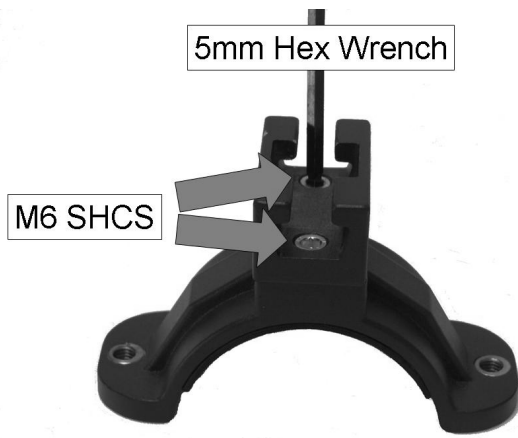
Using a 4mm hex wrench (not included), attach the Tray Support<sup>⑦</sup> to the Tray Brace<sup>⑧</sup> with the four M6 Funnel Head Cap Screws<sup>⑤</sup>. NOTE: The shorter straight arms of the Tray Support are closest to the dovetail mount of the Tray Brace. (See Photo)



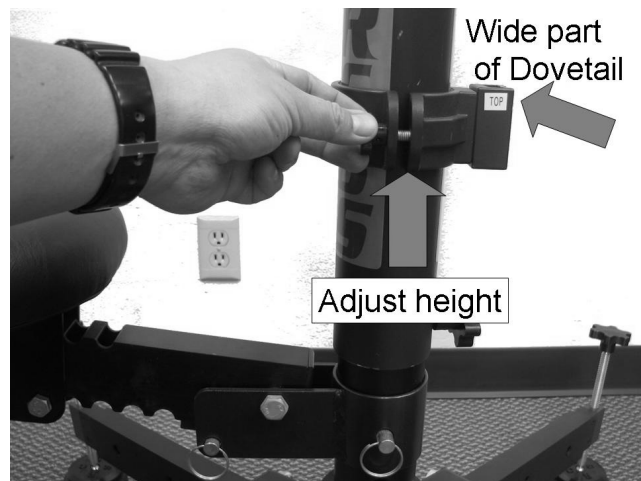
Using a 6mm hex wrench and 13mm wrench (neither included), attach the Tray Top<sup>⑥</sup> to the Tray Support<sup>⑦</sup> using the four M8 Socket Head Cap Screws<sup>①</sup>, Washers<sup>③</sup> and M8 Nyloc nuts<sup>②</sup>. (See Photo)



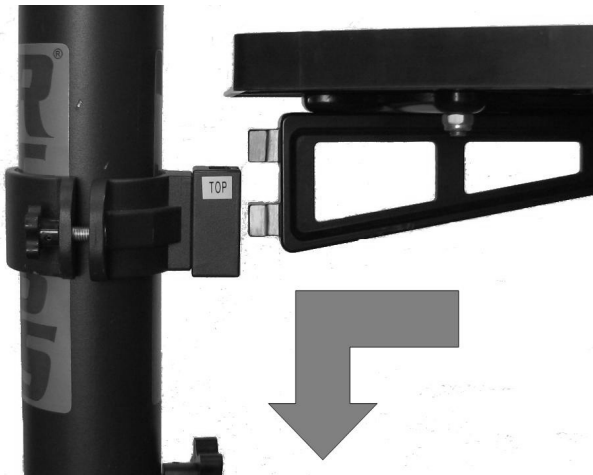
Attach the Mount Receiver<sup>⑨</sup> to the Front Clamp Assembly<sup>⑩</sup> using the two M6 Socket Head Cap Screws<sup>④</sup> and a 5mm hex wrench (not included). Note: There is a wide and narrow part to the dovetail of the Mount Receiver. At this point it makes no difference which way it is secured to the Front Clamp. However, when securing the Front Clamp to the center support of the bench, the wider part of the dovetail needs to be at the top.



Attach the Front<sup>⑩</sup> and Rear Clamp<sup>⑪</sup> to the Center Support of your R.A.S.S. Bench with the two Thumb Screws<sup>⑭</sup>. The wide part of the dovetail must be at the top and the dovetail should be opposite of your seat location. The height of the Clamps should be just above your knees when seated on the R.A.S.S. Bench. (See photo) Adjust the height of the Clamps to your comfort.

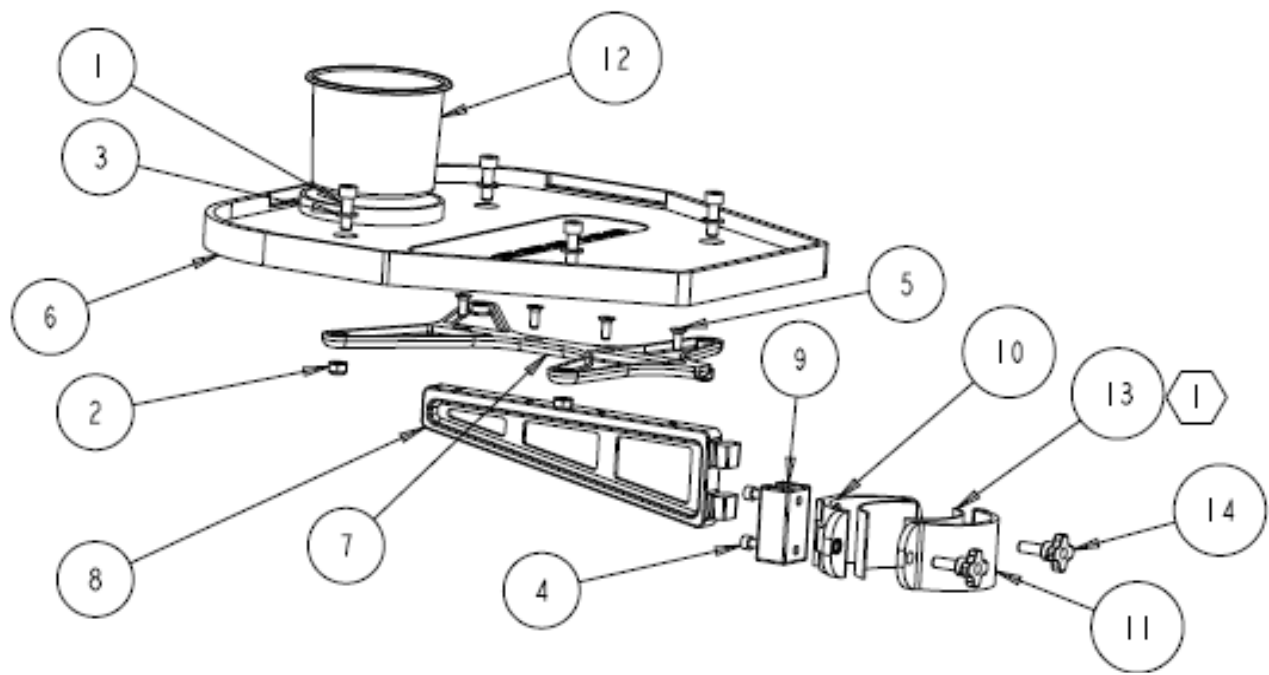


Attach the Tray Top assembly to the Clamp. The dovetail features a 'bayonet' type mount, slide the bottom half of the Tray Mounting Brace into the Mount Receiver and press downward. (See photo)



Insert the Drink Holder ⑫ into the corresponding hole in the Tray.





Utility Tray Assembly			
Item #	Part #	Quantity	Description
1	150000	4	M8x1.0 S.H. Cap Screw
2	150001	4	M8x1.0 Nylon Insert Lock Nut
3	150002	4	M8 Flat Washer
4	150004	2	M6x1.0 S.H. Cap Screw
5	150005	4	M6x1.0 Flat S.H. Cap Screw
6	151100	1	Tray Top
7	151101	1	Tray Support
8	151102	1	Tray Brace
9	151103	1	Mount Receiver
10	151104	1	Front Clamp Assembly
11	151105	1	Rear Clamp
12	151106	1	Drink Holder
13	151107	2	Clamp Liner
14	151109	2	Thumb Screw

DETACH AND PLACE IN ENVELOPE

Complete all sections

-----  
Mail to:

RCBS Operation  
605 Oro Dam Blvd. East  
Oroville, CA 95965

1. Where Purchased: \_\_\_\_\_

2. Name: Mr/Ms. \_\_\_\_\_

3. Street Address: \_\_\_\_\_

4. City, State, ZIP: \_\_\_\_\_

5. Product Purchased: \_\_\_\_\_ **9321 Utility Tray** \_\_\_\_\_

6. Date Purchased: \_\_\_\_\_

**Copy of Register Receipt Enclosed**



**PRECISIONEERED SHOOTING PRODUCTS**

We think that we make the very best reloading and shooting equipment in the world.

If you agree, please tell your friends.

If you disagree, tell us - we want to do something about it!

Customer Service

1-800-533-5000 (US or Canada) or 530-533-5191

Hours: Monday - Thursday, 6:30am - 3:00pm Pacific Time  
(hours may vary)

e-mail: [rcbs.tech@atk.com](mailto:rcbs.tech@atk.com) or visit our website at [www.rcbs.com](http://www.rcbs.com)

RCBS 605 Oro Dam Blvd. East Oroville, CA 95965

0408

ALLIANT POWDER - CHAMPION - GUNSLICK - INTENSITY - NITREX  
OUTERS - RAM-LINE - RCBS - SHOOTERS RIDGE - WEAVER