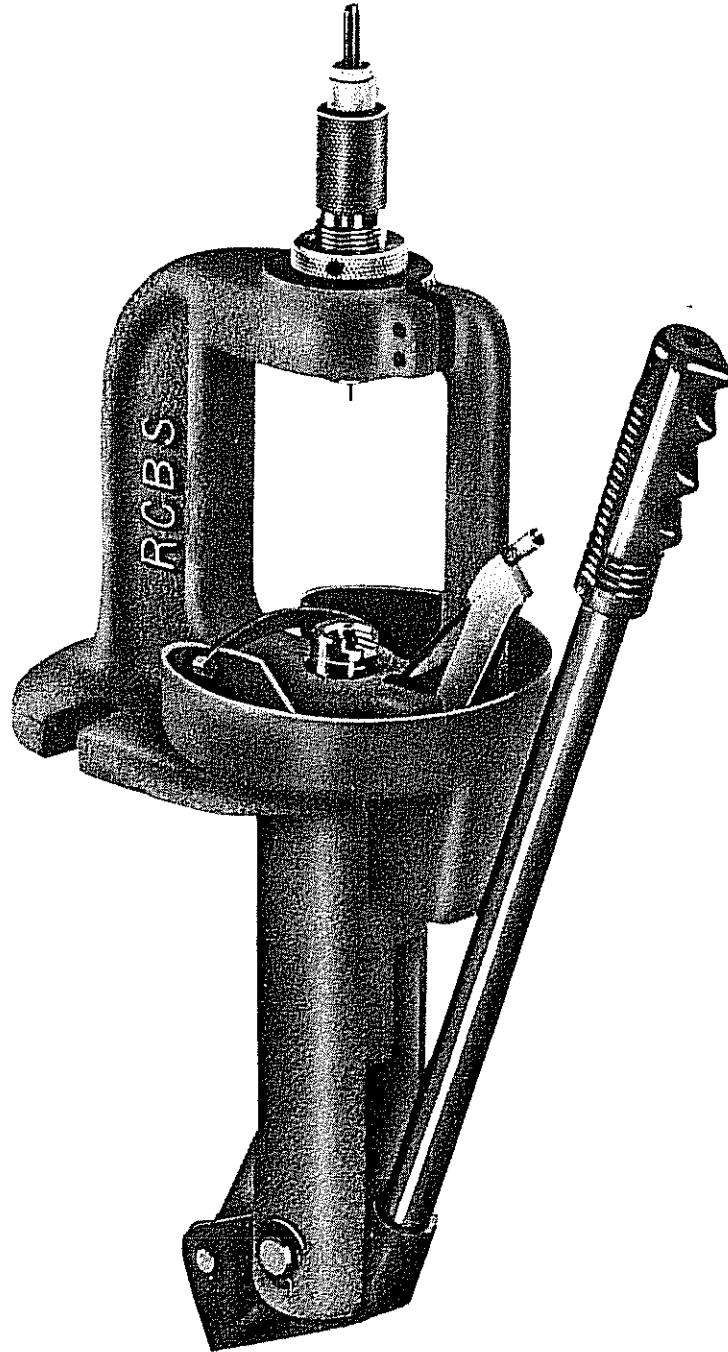




RELOADER SPECIAL PRESS INSTRUCTIONS



Unpack the press carefully and look for the following:

1. Press less Handle
2. Handle with Grip
3. Primer Catcher
4. Resizing Lubricant
5. Small Primer Plug and Sleeve
6. Instruction Booklet
7. Reloading Dies, purchased as "Reloader Special" combo

Report any shortage to your dealer immediately.

ALL ABOUT YOUR **R.S. PRESS**

This is the perfect Press for newcomers to reloading and still the favorite of many old hands — the RCBS R.S. PRESS, America's most popular reloading press. With the R.S. you can reload your favorite rifle or pistol ammo — from the largest Magnums down to .17 caliber. You can resize cases their full length, form .30-06 cases into many other calibers, and make your own bullets.

Will not spring out of alignment!

Sturdy, cast iron Block "O" Frame, pioneered by RCBS, eliminates springing of the frame that occurs in "C" and other type presses. Ruggedly constructed "O" Frame is spacious enough to permit easy handling and priming of even the largest cases. Press Frame has an extra-long ram-bearing surface to eliminate ram wobble and side-play, and assure you of perfect alignment of Shell Holder to the Die. Frame has standard $\frac{7}{8}$ "-14 thread for all popular reloading accessories. Toggle Block, Link, and Pins are made of the finest material available and hardened to prevent springing and breakage.

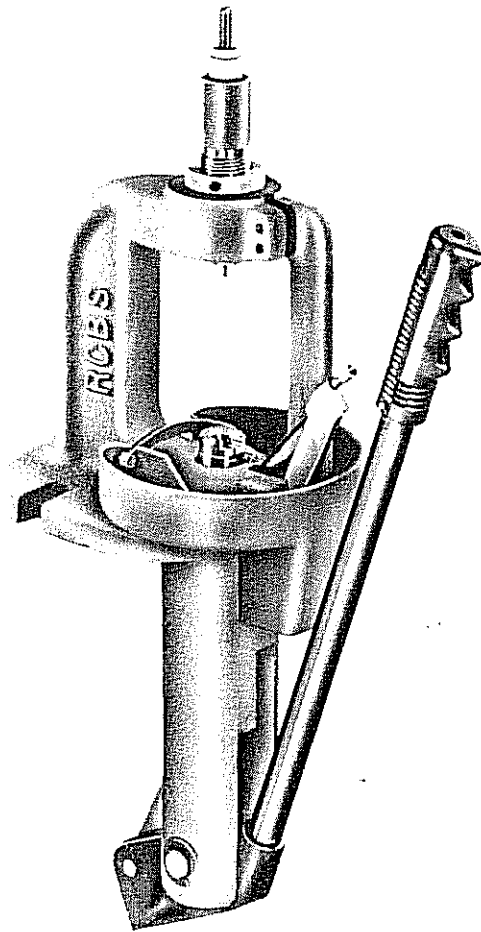
Develops sufficient leverage for all reloading.

The R.S. Press develops all the leverage you'll need for full-length sizing, case forming, and bullet making.

Solid steel Handle, with comfortable, form-fit grip, resists bending and breakage even under heavy-duty reloading chores. The R.S. Press has a milled slot and setscrew for attaching an optional RCBS Automatic Primer Feed.

Your R.S. Press includes these accessories:

UNIVERSAL PRIMER ARM: equipped with Primer Plugs and Sleeves for seating large and small rifle and pistol primers. Change takes less than one minute; merely loosen setscrew and insert desired Primer Plug and Sleeve. Unique, flat return spring helps prevent primers from jamming Primer Arm action. **SHELL HOLDER:** Precisioneered to the most exacting tolerances, holds case securely and eliminates problems with headspacing or improper sizing. Shell Holder can be rotated to any convenient angle and still maintain perfect alignment required for precision primer seating. "Snap-Action" Clip Spring permits changes from one caliber to another in seconds. **PRIMER CATCHER:** keeps spent primers from dropping to the floor; is easily removed for emptying; will not spill accidentally.



R.S. PRESS

1. PRIMARY ASSEMBLY

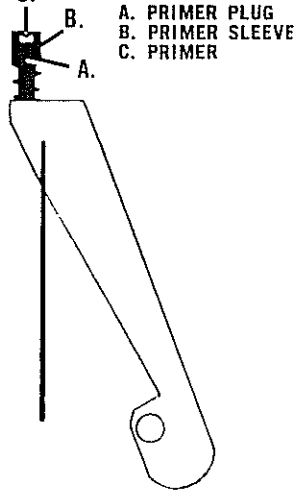
- A. Mount R.S. Press to a workbench (or table) with two $\frac{3}{8}$ " bolts of sufficient length to penetrate Press base and bench. In an emergency the Press can be fastened to bench or table with two "C" clamps.
- B. Screw Press Handle into Toggle Block. Remove the Handle Grip and tighten the Handle into the Toggle Block with a wrench or pliers. Replace Handle Grip and twist into place until comfortable to the hand.
- C. Carefully remove the Locking Bar cast on the front of the Primer Catcher. Slip Primer Catcher in place around the Press Frame and secure with the Locking Bar in the slots provided.

2. THREAD SIZE

The R.S. Press utilizes the same standard $\frac{7}{8}$ "-14 thread for all standard reloading dies and accessories.

3. LUBRICATION OF PRESS

This Press was pre-lubricated at the factory. However, it is necessary to lubricate all movable parts from time to time with a gun oil. If rust spots appear, swab lightly with gun oil and wipe dry.



4. UNIVERSAL PRIMER ARM

The Universal Primer Arm is furnished with interchangeable Primer Plugs and Sleeves for large and small primers. The Plugs and Sleeves may be changed without removal of the complete Primer Arm. To change, merely loosen the set-screw. Be sure the entire assembly is tightened before priming. The Universal Primer Arm may be removed by driving out Primer Arm Pin at the base of Primer Arm.

When ejecting spent primers with Sizer or Expander Die, push Primer Arm forward, about halfway, to deflect primer into Primer Catcher.

5. SHELL HOLDER

The R.S. Press Shell Holder Ram accepts Removable Type Shell Holders for economy and quick changes. To install: insert Shell Holder into Ram and twist slightly to left. To remove, twist slightly to the right.

6. SHELL HOLDER RAM

To remove Shell Holder Ram: first remove the Spring Clip (to allow Ram to pass through Ram-bearing surface of the Press Frame), as follows: insert a Shell Holder approximately halfway into the Ram slot until the Spring Clip is forced out of its groove on the left side of the Ram. Then twisting Shell Holder slightly to the left, push the right end of Spring Clip until it is forced out of its groove. Then follow Steps "A" to "D" shown below.

7. AUTOMATIC PRIMER FEED (OPTIONAL)

The two setscrews on the front of the Press frame are for installation of the RCBS Automatic Primer Feed. This and other RCBS accessories for your Press are available at your gun dealer.

IMPORTANT

The circled numerals shown in the table indicate the following:

- ① Shoulder angle of improved version
- ② Order Shell Holder by caliber
- ③ New Winchester and Remington cases require an RCBS #28 Shell Holder
- ④ Some Browning, DWM, Lapua, RWS and SAKO cases require an RCBS #26 Shell Holder
- ⑤ Cases are usually Berdan-primed. Priming and depriming must be done by hand. If cases were formed from cases having boxer-type primer use the appropriate Shell Holder for that case
- ⑥ Case Trimmer Collet and Pilot not made for that case
- ⑦ Original cases are Berdan-primed and require the use of a #2 Shell Holder

RIFLE CALIBERS

	DIE GROUP	SHELL HOLDER NUMBER	PRIMER PLUG & SLEEVE	CASE COLLET NUMBER	TRIMMER PILOT CALIBER
.17 Remington	A	10	Small	1	17
.21B Bee	A	1	Small	2	22
.219 Zipper	D	2	Large	2	22
.22 Hornet	A	12	Small	2	22
.22 K-Hornet	D	12	Small	2	22
.22 Remington Jet	A	6	Small	3	22
.22 Savage High Power	A	2	Large	2	22
.22-250 (.22 Varminter)	A	3	Large	1	22
.220 Swift	A	11	Large	1	22
.221 Remington Fire Ball	A	10	Small	1	22
.222 Remington	A	10	Small	1	22
.222 Remington Magnum	A	10	Small	1	22
.223 Remington (5.56mm)	A	10	Small	1	22
.224 Weatherby Magnum	D	27	Large	3	22
.225 Winchester	A	11	Large	1	22
.240 Weatherby Magnum	D	3	Large	1	24
.243 Winchester	A	3	Large	1	24
6mm Remington (.244 Remington)	A	3	Large	1	24
.25-06	A	3	Large	1	25
.25-20 Winchester	A	1	Small	2	25
.25-35 Winchester	A	2	Large	2	25
.250 Savage (.250-3000 Savage)	A	3	Large	1	25
.256 Winchester Magnum	D	6	Small	3	25
.257 Roberts	A	11	Large	1	25
.257 Improved (40') (1)	D	11	Large	1	25
.257 Weatherby Magnum	A	4	Large	1	25
6.5mm Remington Magnum	D	4	Large	1	26
6.5mm-06	D	3	Large	1	26
6.5mmx50 Japanese Arisaka	D	15	6	1	26
6.5mmx52 Carcano	D	9	6	3	26
6.5mmx54 Mannlicher-Schoenauer	D	9	Large	1	26
.264 Winchester Magnum	A	4 5	Large	1	26
6.5mmx55 Swedish Mauser	A	2	6	1	26
6.5mmx57	D	3	6	1	26
.270 Weatherby Magnum	A	4	Large	1	27
.270 Winchester	A	3	Large	1	27
7mm Remington Magnum	A	4 5	Large	1	27
7mm Weatherby Magnum	A	4	Large	1	28
7mmx57 Mauser (7mm Mauser)	A	11	Large	1	28
7mmx64 Brenneke	A	3	Large	1	28
7mmx65 Rimmed	D	26	6	1	28
.280 Remington	A	3	Large	1	28
.284 Winchester	A	3	Large	1	28
7.5mm Schmidt-Rubin	D	2	6	1	30
7.62mm Russian	D	13	6	7	7
7.62mmx39	D	6	Large	3	30
7.65mmx53 Mauser (Belgian)	A	3	6	1	31
7.7mmx58 Japanese Arisaka	A	3 11	6	1	31
.30 Herrett	D	2	Large	2	30

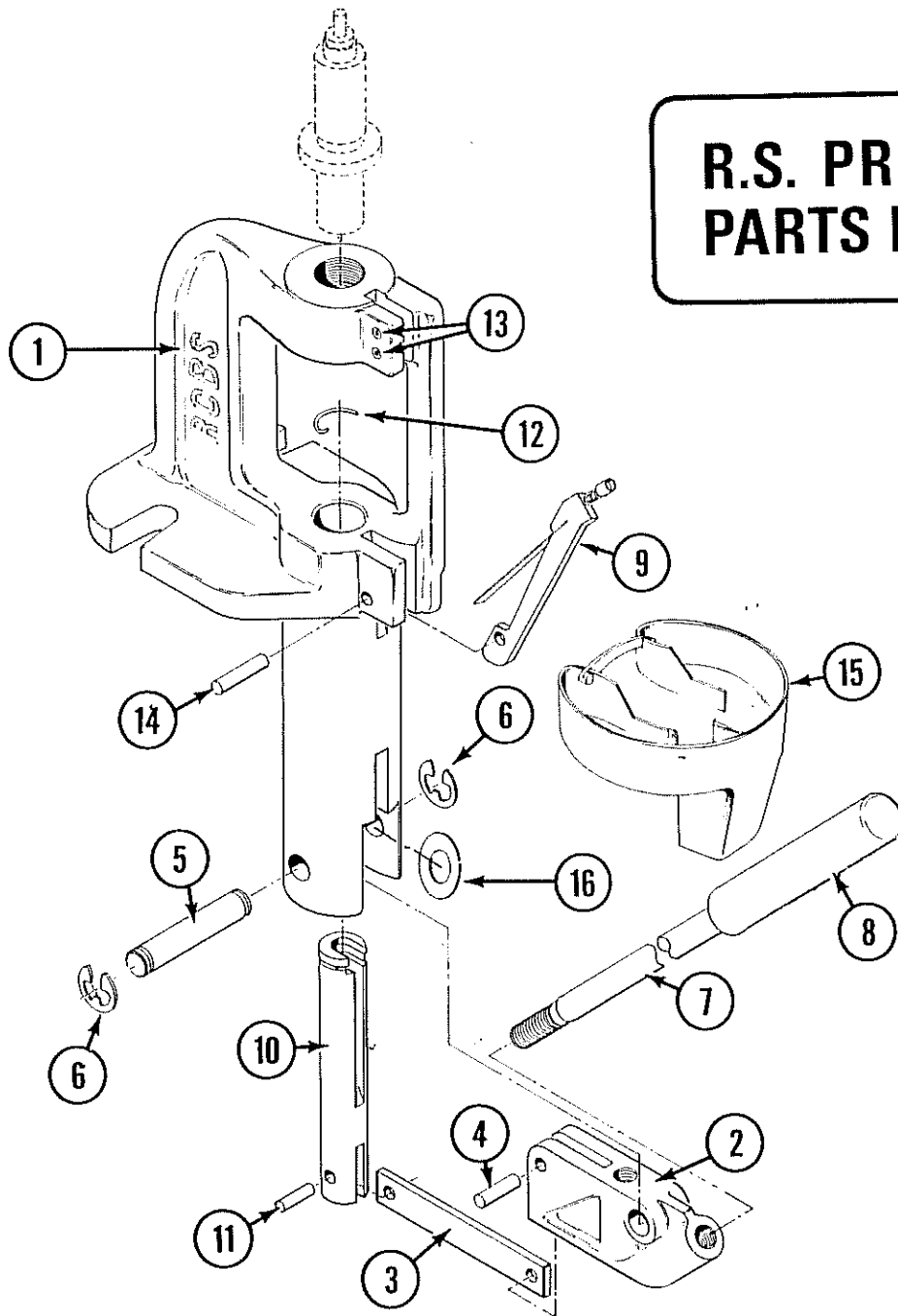
RIFLE CALIBERS

CALIBER	DIE GROUP	SHELL HOLDER NUMBER	PRIMER PLUG & SLEEVE	CASE COLLET NUMBER	TRIMMER PILOT CALIBER
.30 Remington	D	19	Large	2	30
.30-338 Winchester Magnum	D	4	Large	1	30
.30 M1 Carbine	B	17	Small	3	30
.30-30 Winchester	A	2	Large	2	30
.30-40 Krag	A	7	Large	3	30
.30-06 Springfield	A	3	Large	1	30
.300 Holland & Holland Magnum	A	4	Large	1	30
.300 Savage	A	3	Large	1	30
.300 Weatherby Magnum	A	4	Large	1	30
.300 Winchester Magnum	A	4 5	Large	1	30
.303 British	A	7	6	1	31
.303 Savage	D	21	Large	2	30
.308 Winchester	A	3	Large	1	30
.308 Norma Magnum	A	4	Large	1	30
.32 Winchester Special	A	2	Large	2	32
.32-20 Winchester	B	1	Small	2	31
.32-40 Winchester	D	2	Large	2	32
8mm-06	D	3	Large	1	32
8mmx57 Mauser (8mm Mauser)	A	3	Large	1	32
8mm Remington Magnum	A	4	Large	1	32
.33 Winchester	D	14	Large	4	33
.338 Winchester Magnum	A	4	Large	1	33
.340 Weatherby Magnum	D	4	Large	1	33
.348 Winchester	D	5	Large	4	34
.35 Remington	A	9	Large	1	35
.35 Whelen	D	3	Large	1	35
.350 Remington Magnum	D	4	Large	1	35
.358 Norma Magnum	D	4	Large	1	35
.358 Winchester	D	3	Large	1	35
.38-55 Winchester & Ballard	F	2	Large	1	37
.375 Holland & Holland Magnum	A	4	Large	1	37
.444 Marlin	C	28	Large	1	44
.458 Winchester Magnum	C	4	Large	1	45 FT
.45-70 U.S. Government	C	14	Large	4	45 FT
.50-70 U.S. Government	F	31	Large	7	7

PISTOL CALIBERS

.22 Remington Jet	A	6	Small	3	22
.221 Remington Fire Ball	A	10	Small	1	22
.25 ACP (.25 Automatic)	C	29	Large	7	7
.256 Winchester Magnum	D	6	Small	3	25
.30 Luger (7.65mm Luger)	D	16	Small	2	30
.30 Mauser (7.63mm Mauser)	D	16	Small	2	30
.32 ACP (7.65mm Automatic)	C	17	Small	1	31
.32 Smith & Wesson, Long	C	23	Small	1	31
.32-20 Winchester	B	1	Small	2	31
8mm Nambu	F	25	6	2	32
.357 Auto Magnum	E	3	Large	1	35
.357 Magnum	B	6	Small	3	35
.38 Colt Super Automatic	C	1	Small	2	35
.38 Smith & Wesson	C	6	Small	3	35
.38 Special	B	6	Small	3	35
.380 Auto Pistol	C	10	Small	1	35
.38-40 Winchester	E	26 4	Large Sm	7	7
9mm Luger	C	16	Small	2	35
41 Magnum	B	30	Large	2	41
.44 Auto Magnum	B	3	Large	1	44
.44 Magnum	B	18	Large	2	44
.44 Special	B	18	Large	1	44
.44-40 Winchester	B	26 4	Large	1	44
.45 Automatic (.45 ACP)	B	3	Large	1	45
.45 Auto Rim	E	8	Large	1	45
.45 Colt	B	20	Large	1	45

R.S. PRESS PARTS LIST



KEY	PART NO.	DESCRIPTION
1	09100	Frame
2	09101	Toggle Block
3	09102	Toggle Link
4	09103	Toggle Link Pin
5	09104	Toggle Block Pin
6	09105	Toggle Block Pin Spring Clip (2)
7	09106	Handle
8	09107	Handle Grip
9	09500	Universal Primer Arm
10	09109	Shell Holder Ram
11	09110	Shell Holder Ram Pin
12	09111	Shell Holder Ram Clip Spring
13	09112	Setscrew, 10/32" x 1/4" (2)
14	09113	Universal Primer Arm Pin
15	09114	Primer Catcher
16	09115	Tension Spring

— PRICES & SPECIFICATIONS SUBJECT TO CHANGE —