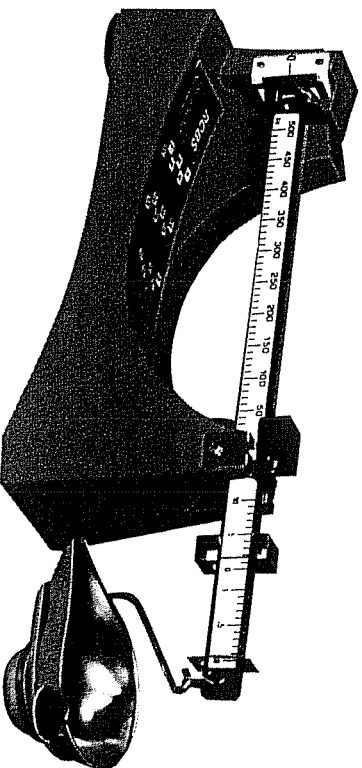


RCBS[®]

Model 5.0.5[®] Scale Instructions

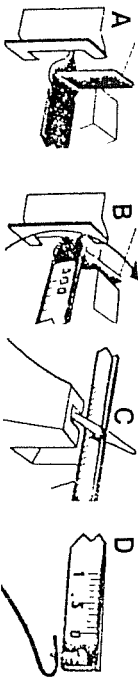


IMPORTANT

Since the powder charge is the most critical portion of a reloaded cartridge, it is very important that you take a few minutes to read these instructions carefully to gain an understanding of the use of the three poise system before attempting to weigh powder charges.

UNPACKING AND SETUP

Your "5 • 0 • 5" scale is packed in a specially designed carton to provide maximum protection. Unpack the scale carefully to avoid damaging components. (See illustration at right.) Place the base on a reasonably flat and level surface.



To position the beam in the base, hold it horizontally with the copper damper vane pointing upward, as shown in (A). Slide the pointer end of the beam behind the right edge of the dial plate. Rotate the beam, as shown in (B), so that the damper vane moves into the slot in the housing. Lower the center pivot onto the bearings as illustrated in (C). Hook the pan bow in the end loop on the extreme right of the beam, illustration (D). Put the pan in place.

Note the way the pan support cradles the pan. This feature makes it possible to weight long, heavy objects such as cases and loaded cartridges without tipping the pan off its support. The pan support may also be rotated within the wire hanger for a more convenient handle position.

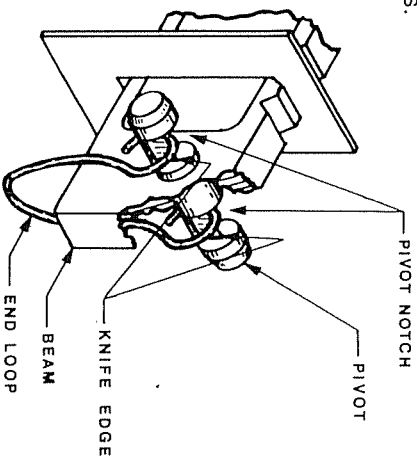
Your "5 • 0 • 5" is now ready for use.

CAUTION!

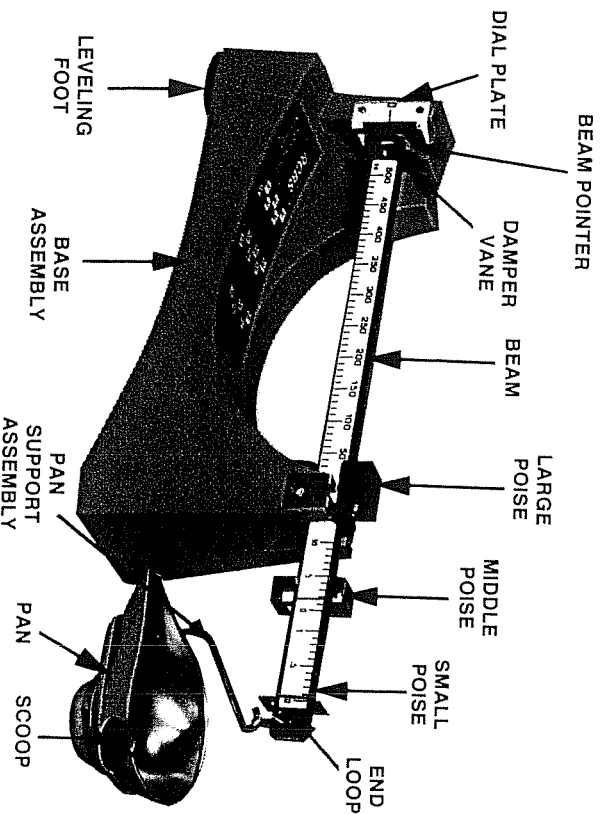
The end loop **MUST** not be bent or twisted when unpacking.

In order for the scale to operate properly:

- Both sides of the end loop **MUST** be parallel to the beam.
- The end loop shall move freely in the pivot notches and hang in a position perpendicular to the knife edges.



About your RCBS Model 5.0.5®



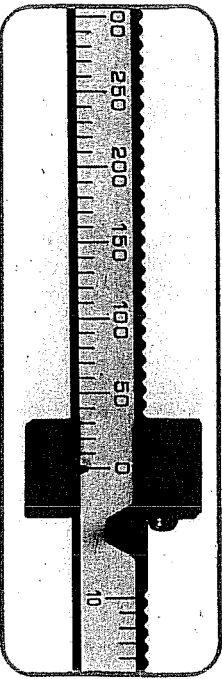
The 5.0.5 has a 511 grain capacity, and features a three poise system. Widely spaced, deep beam notches prevent accidental movement of the poises. Calibrations on left side of beam are in full 10 grain increments. Two smaller poises on right side of beam adjust from 0.1 to 10 grains. This was the first reloading scale to utilize *magnetic damping* to eliminate unnecessary beam oscillation. It has a rugged die-cast base with a large leveling leg for extra stability on the bench. Self-aligning agate bearings support the hardened steel beam pivots to guarantee sensitivity of 0.1 grain.

This scale is manufactured exclusively for RCBS by
Ohaus Corporation
19A Chapin Road
P.O. Box 2033
Pine Brook, NJ 07058-9878
(in New Jersey) Telephone (973) 377-9000
Toll Free (800) 526-0659
5-0-5 is a registered trademark of Ohaus Corporation

HOW TO USE THE LARGE POISE (500 GRAIN)

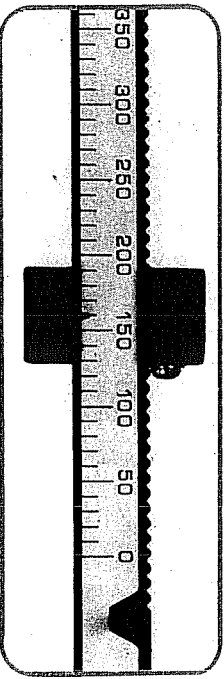
The principle of the large poise consists of an accurately adjusted weight which moves parallel to the longitudinal axis of the beam and which is positioned at weight values by means of a pawl engaging notches in the beam. The poise run is from 0 to 500 grains. The equally-spaced notches divide this distance into 50 equal parts so that each subdivision is equivalent to 10 grains of weight.

To zero the large poise, move it to the position where the pawl, located on the right side of the poise, engages the first notch on the right end of the poise travel. The poise indicator will line up with the zero graduation.



To increase weight values, move the poise to the left and line up the indicator with the desired graduation. Always make sure the pawl is seated in the notch.

Illustrated is a setting of 160 grains.

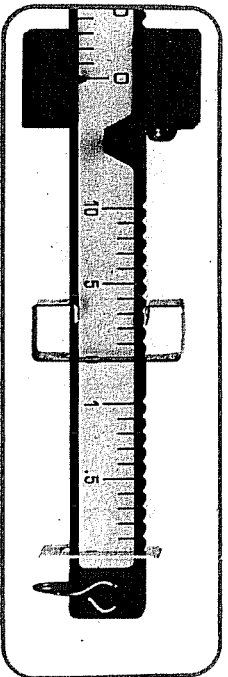


Do not attempt to set the large poise at any position except firmly seated in a notch. Always use the smaller poises for weight values between the 10 grain increments of the middle poise.

HOW TO USE THE MIDDLE POISE (10 GRAIN)

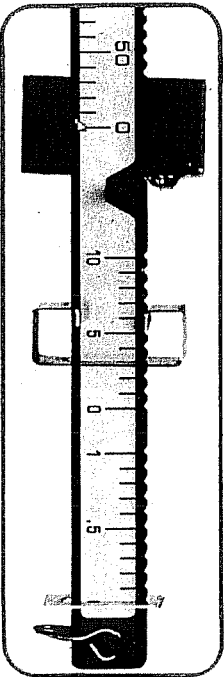
The principle of the middle poise is the same as that of the large poise. This poise run is from 0 to 10 grains. The equally spaced notches divide this distance into 10 equal parts so that each subdivision is equivalent to 1 grain of weight.

To zero the middle poise, move it to the position where the pawl, which is the top edge of the rectangular slot through the poise, engages the notch directly above the zero graduation. The long, vertical right-hand edge of the poise is the indicator and will line up with the zero graduation.



To increase weight values, move the poise to the left and line up the indicator (right-hand edge) with the desired graduation. Always make sure the pawl is seated in the notch.

Illustrated is a setting of 3 grains.

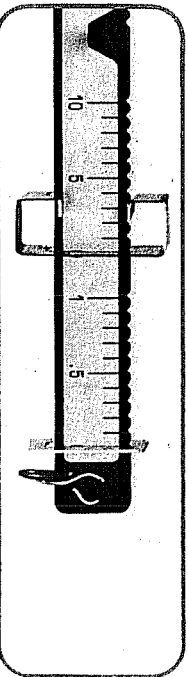


Do not attempt to set the poise at any position except firmly seated in a notch. Always use the small poise for weight values between the 1 grain increments of the middle poise.

HOW TO USE THE SMALL POISE (1 GRAIN)

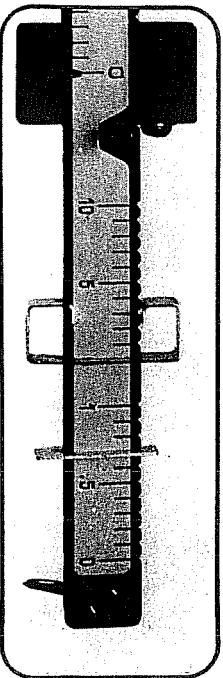
The principle of the small poise is the same as for the first two poises. This poise run is from 0 to 1 grain. The equally spaced notches divide this distance into 10 equal parts so that each subdivision is equivalent to 1/10th (.1) grain of weight.

To zero the small poise, move it to the position where the pawl, which is the top edge of the rectangular slot through the poise, engages the notch directly above the zero graduation. The long, vertical edge of the poise is the indicator and will line up with the zero graduation.



To increase weight values, move the poise to the left and line it up with the desired graduation. Always make sure that the pawl is seated in the notch.

Illustrated is a setting of .7 grains.



Do not attempt to set the small poise at any position except seated in a notch.

HOW TO ZERO BALANCE THE SCALE

Place all three poises at zero. If the scale has been placed on a reasonably level surface, the beam pointer will come to rest fairly close to the zero graduation on the dial plate. Raise or lower the left end of the base by means of the levelling foot to line them up.

The scale should be zero balanced before use and checked periodically during use for maximum accuracy and protection against error.

MAGNETIC DAMPING

Your "5-0.5" scale is equipped with magnetic damping which causes the beam to come to rest quickly without affecting sensitivity or accuracy.

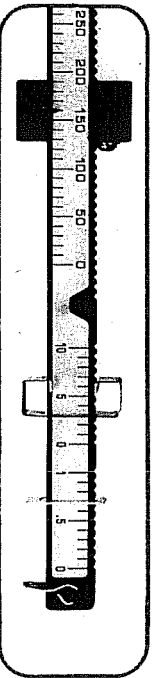
It operates on the principle of a permanent magnetic field resisting the motion of a non-magnetic, copper damper vane attached to the beam. The damping magnets are positioned inside the base on both sides of the slot that the damper vane travels in.

The only maintenance required is to keep this slot free of magnetic particles which could interfere with free movement of the damper vane. The magnetic damping is effective at all loads and will speed up weighing.

HOW TO WEIGH

To weigh an unknown, such as the throw of charge from a powder measure, place it in the scale pan. Move the large poise to the first notch which causes the beam pointer to drop below zero and then move it back one notch. Do the same with the middle poise. Then move the small poise to the notch which brings the beam pointer closest to zero. The weight of the unknown is the sum of the three poise readings.

Illustrated is a total weight of 163.7 grains.



The scale can also be used to weigh out predetermined powder charges, either alone or in combination with a powder measure set to throw a light charge.

In either case the desired final weight of the charge is preset on the poises. This will cause the beam pointer to fall below the zero graduation. Add powder to the pan until the beam balances.

When making repeated weighings in this manner, avoid weighing errors by making sure that the poises remain in their correct positions and are not accidentally moved.

HOW TO CARE FOR YOUR SCALE

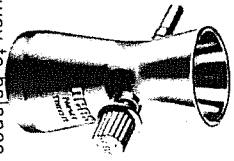
Keep the scale clean at all times and be particularly careful to prevent the accumulation of dirt on the pivots and bearings. Never apply oil or any lubricant to the pivots or bearings; this will lower the accuracy of the scale.



Quality reloads begin with RCBS®

RCBS RELOADING ACCESSORIES AVAILABLE AT YOUR GUN DEALERS

RCBS Powder Trickler



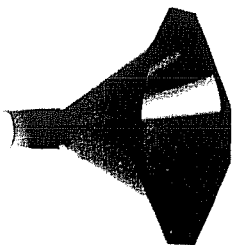
Here's the fast, easy way to balance scales when weighing precision powder charges: merely twist the Trickler Knob and powder will trickle into Scale Pan, a kernel at a time. To use with Powder Measure: set measure short of desired charge — dump charge into Scale Pan and balance Scale with Trickler. Has large capacity powder reservoir — extra-large base to minimize tipping. Ideal height for all powder scales.



Send for Free Catalog

Loaded with photos and drawings. Shows complete line of famous RCBS *Precisioneer*® reloading tools and prices; lists reloading dies for over 200 calibers, reference tables, and a heap of other interesting information. Most informative and most descriptive reloading catalog available anywhere.

RCBS Powder Funnel



For powder charging just a few cases at a time! Large, easy-to-use, plastic Powder Funnel in two sizes: .22 to .45 calibers, and .17 caliber. Specially designed drop tube prevents powder spills around case mouths. Anti-static treatment prevents powder from sticking. Square lip stops Funnel from rolling.

SPORTING EQUIPMENT DIVISION OF BLOUNT, INC.

RCBS Operation, 605 Oro Dam Blvd., Oroville, CA 95965

P/N 7045-10 R1200

PRINTED IN U.S.A.